



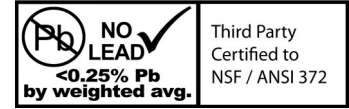
SSHB52 SERIES 304 STAINLESS SERIES HOSE BIBB - 1/4 TURN

Specification:

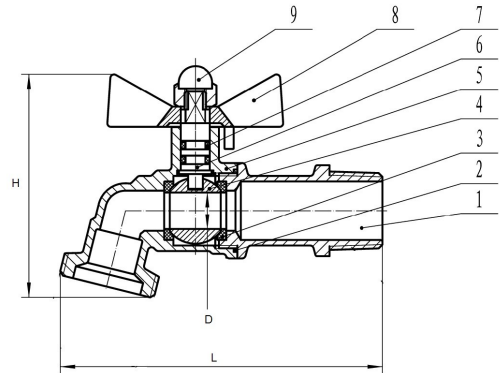
- Threads conform to ANSI/ASME B1.20.1
- Hose thread outlet 3/4" GHT
- Max Pressure Rating: 200 PSI
- Max Temperature Rating: 248°F (120°C)
- Stem packing material: Dual O-ring Rubber (NBR)
- Seat material: PTFE
- 304 stainless steel handle

Certification:

- NSF/ANSI Standard 372 Certified



MATERIAL LIST		
No.	Part Name	Material
1	Bonnet	304 Stainless Steel
2	Gasket	PTFE
3	Ball Seat	PTFE
4	Ball	304 Stainless Steel
5	Body	304 Stainless Steel
6	Stem	304 Stainless Steel
7	O-Ring	Rubber (NBR)
8	Handle	304 Stainless Steel
9	Nut	304 Stainless Steel



DIMENSIONS								
PART NO.	DESCRIPTION	D		L		H		WEIGHT
		inches	mm	inches	mm	inches	mm	grams
SSHB52-05	1/2" MPT	0.4	10.0	2.4	61.0	3.5	88.0	160
SSHB52-07	3/4" MPT	0.4	10.0	2.4	61.0	3.6	92.0	180



25 Whaley Ave., Milverton, Ontario, Canada N0K 1M0

Tel: (519)-595-4444

Toll Free: (800)-561-3164

Fax: (519)-595-4380

Web: www.boshart.com