

For Residential and Commercial Applications

Job Name _____

Contractor _____

Job Location _____

Approval _____

Engineer _____

Contractor's P.O. No. _____

Approval _____

Representative _____

LEAD FREE*

Series LFN45B-EZ Water Pressure Reducing Valves†

Sizes: 3/4" – 1" (20 – 25mm)

Series LFN45B-EZ Water Pressure Reducing Valves are designed to reduce incoming water pressure to a sensible level to protect plumbing system components and reduce water consumption. This series is suitable for water supply pressures up to 400psi (27.6 bar) and may be adjusted from 25 – 75psi (172 – 517 kPa). The standard setting is 50psi (345 kPa). All parts are quickly and easily serviceable without removing the valve from the line. The standard bypass feature permits the flow of water back through the valve into the main when pressures, due to thermal expansion on the outlet side of the valve, exceed the pressure in the main supply. The LFN45B-EZ features Lead Free* construction to comply with Lead Free* installation requirements.

Features

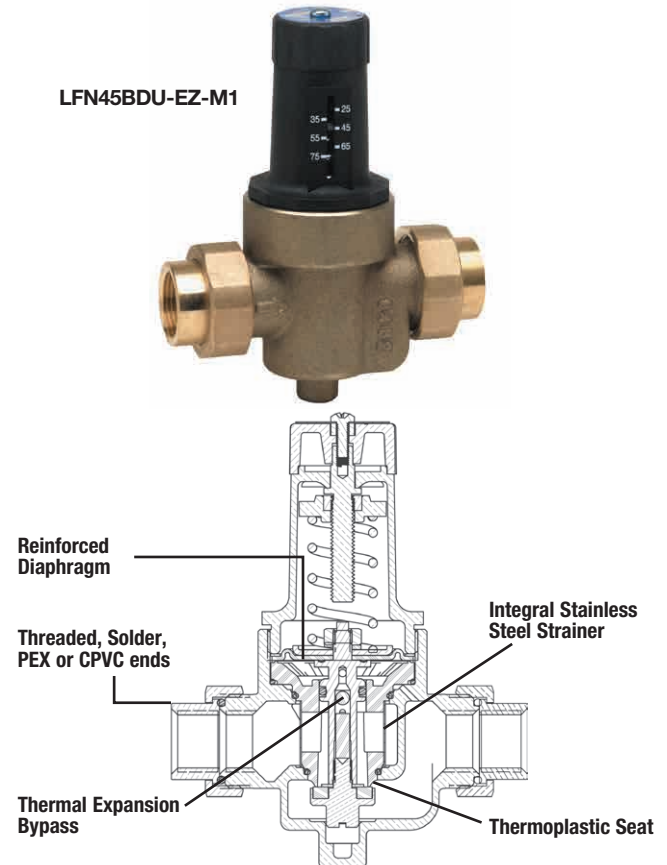
- Factory calibrated outlet pressure adjustment
- Easily adjustable pressure setting
- Double union inlet & outlet connections (option DU)
- Integral stainless steel strainer
- Thermoplastic cage & seat
- Lead Free* Copper Silicon Alloy body construction
- Serviceable in line
- Bypass feature controls thermal expansion pressure**

Models

LFN45B-EZ-M1	NPT threaded female inlet x NPT female outlet
LFN45BU-EZ-M1	NPT threaded union inlet x NPT female outlet
LFN45BU-EZ-S-M1	Solder union inlet x NPT female outlet
LFN45BDU-EZ-M1	Double Union – NPT threaded union female inlet and outlet
LFN45BDU-EZ-S-M1	Double Union – Solder union inlet and outlet
LFN45BDU-EZ-PEX-M1	Double Union – PEX union inlet and outlet
LFN45BDU-EZ-CPVC-M1	Double Union – CPVC union inlet and outlet

*The wetted surface of this product contacted by consumable water contains less than 0.25% of lead by weight.

LFN45BDU-EZ-M1



Specifications

A Water Pressure Reducing Valve with integral strainer shall be installed in the water service pipe near its entrance to the building where supply main pressure exceeds 60psi (413 kPa) to reduce it to 50psi (345 kPa) or lower. Lead Free* Water Pressure Reducing Valves† shall be constructed using Lead Free* materials. Lead Free* valves shall comply with state codes and standards, where applicable, requiring reduced lead content. The valve shall feature a Lead Free* Copper Silicon Alloy body suitable for water supply pressures up to 400psi (27.6 bar). Provision shall be made to permit the bypass flow of water back through the valve back into the main when pressures, due to thermal expansion on the outlet side of the valve, exceed the pressure in the main supply. Water Pressure Reducing Valve with built-in bypass check valves will be acceptable. Approved valve shall be listed to ASSE 1003 and IAPMO and certified to CSA B356. Valve shall be a Watts LFN45B-EZ-M1.

† A water saving test program concluded that reducing the supply pressure from 80-50psi (551-345 kPa) resulted in a water savings of 30%.

NOTICE

** The bypass feature will not prevent the pressure relief valve from opening on the hot water supply system with pressure above 150psi (10.3 bar).

Watts product specifications in U.S. customary units and metric are approximate and are provided for reference only. For precise measurements, please contact Watts Technical Service. Watts reserves the right to change or modify product design, construction, specifications, or materials without prior notice and without incurring any obligation to make such changes and modifications on Watts products previously or subsequently sold.

Materials

Body: Lead Free* Cast Copper Silicon Alloy
 Seat: Thermoplastic
 Cage: Thermoplastic
 Integral Strainer: Stainless steel
 Diaphragm: Reinforced EPDM
 Valve Disc: Elastomer

Pressure – Temperature

Temperature Range: 33°F – 180°F (0.5°C – 82°C)
 Maximum Working Pressure: 400psi (27.6 bar)
 Adjustable Reduced Pressure Range: 25-75psi (172 - 517 kPa)
 Standard Reduced Pressure Setting: 50psi (345 kPa)

Standards    

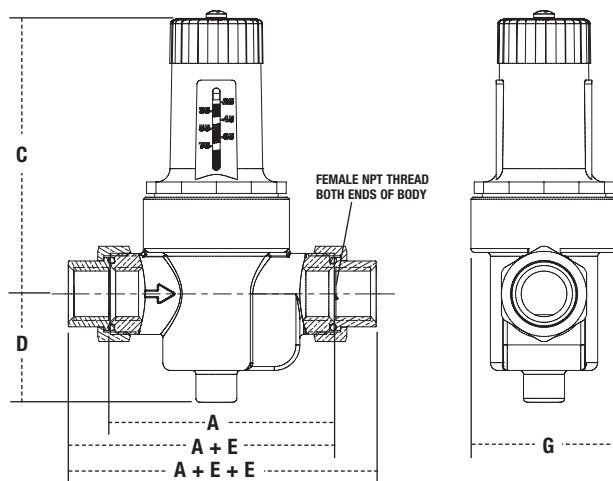
Meets requirements of ASSE Standard 1003; (ANSI A112.26.2);
 CSA Standard B356; and listed by IAPMO.

Options

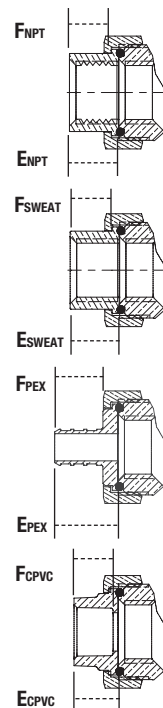
Add Suffix

G Gauge tapping
 GG Gauge tapping and 160psi (11 bar) gauge

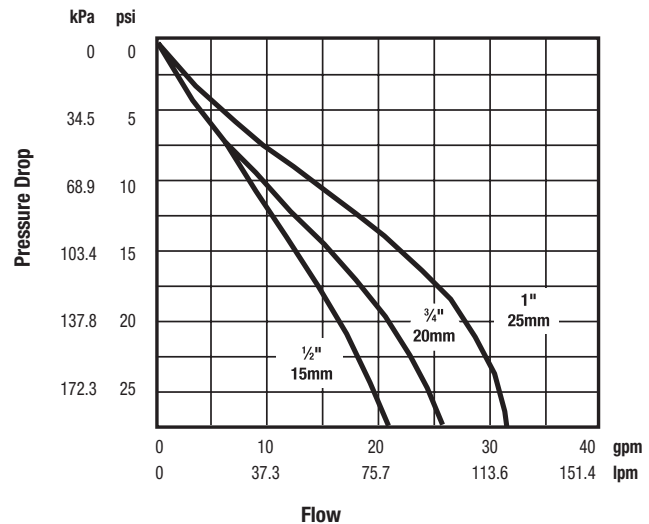
Dimensions - Weights



ABOVE VALVE SHOWN WITH SINGLE NPT UNION CONNECTION ON INLET
 VALVES MAY BE ORDERED WITH 0,1,OR 2 UNION CONNECTIONS USING ANY
 COMBINATION OF NPT, SOLDER, PEX OR CPVC CONNECTIONS REQUIRED
 *"F" DIMENSIONS ARE APPROXIMATE ENGAGEMENT LENGTHS.



Capacity



SIZE (DN)		DIMENSIONS										WEIGHT			
in.	mm	A	C	D	ENPT	ESWEAT	EPEX	ECPVC	FNPT	FSWEAT	FPEX	FCPVC	G	lbs	kg
1/2	15	37/16 88	43/8 111	111/16 43	5/8 16	5/8 15	13/16 21	9/16 15	1/2 13	1/2 13	5/8 16	1/2 13	21/4 57	1.75	.79
3/4	20	37/16 88	43/8 111	111/16 43	5/8 16	7/8 21	15/16 24	13/16 21	9/16 14	3/4 19	5/8 16	3/4 18	21/4 57	1.75	.79
1	25	47/8 105	43/8 111	111/16 43	3/4 20	1 26	11/8 29	11/16 26	11/16 17	15/16 23	13/16 21	15/16 23	21/4 57	2	.91



A Watts Water Technologies Company



ISO 9001-2008
 CERTIFIED

USA: Tel. (978) 688-1811 • Fax: (978) 794-1848 • www.watts.com
 Canada: Tel. (905) 332-4090 • Fax: (905) 332-7068 • www.watts.ca