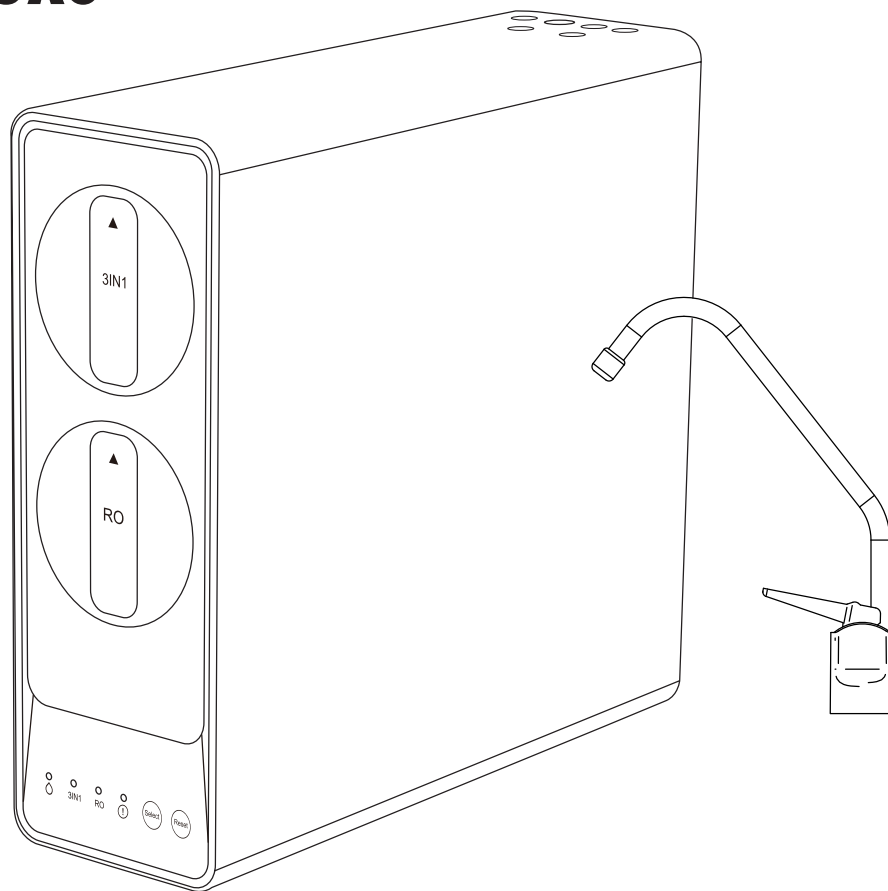


# AQUA FLO®

## RO Drinking Water System CRO-800UX6

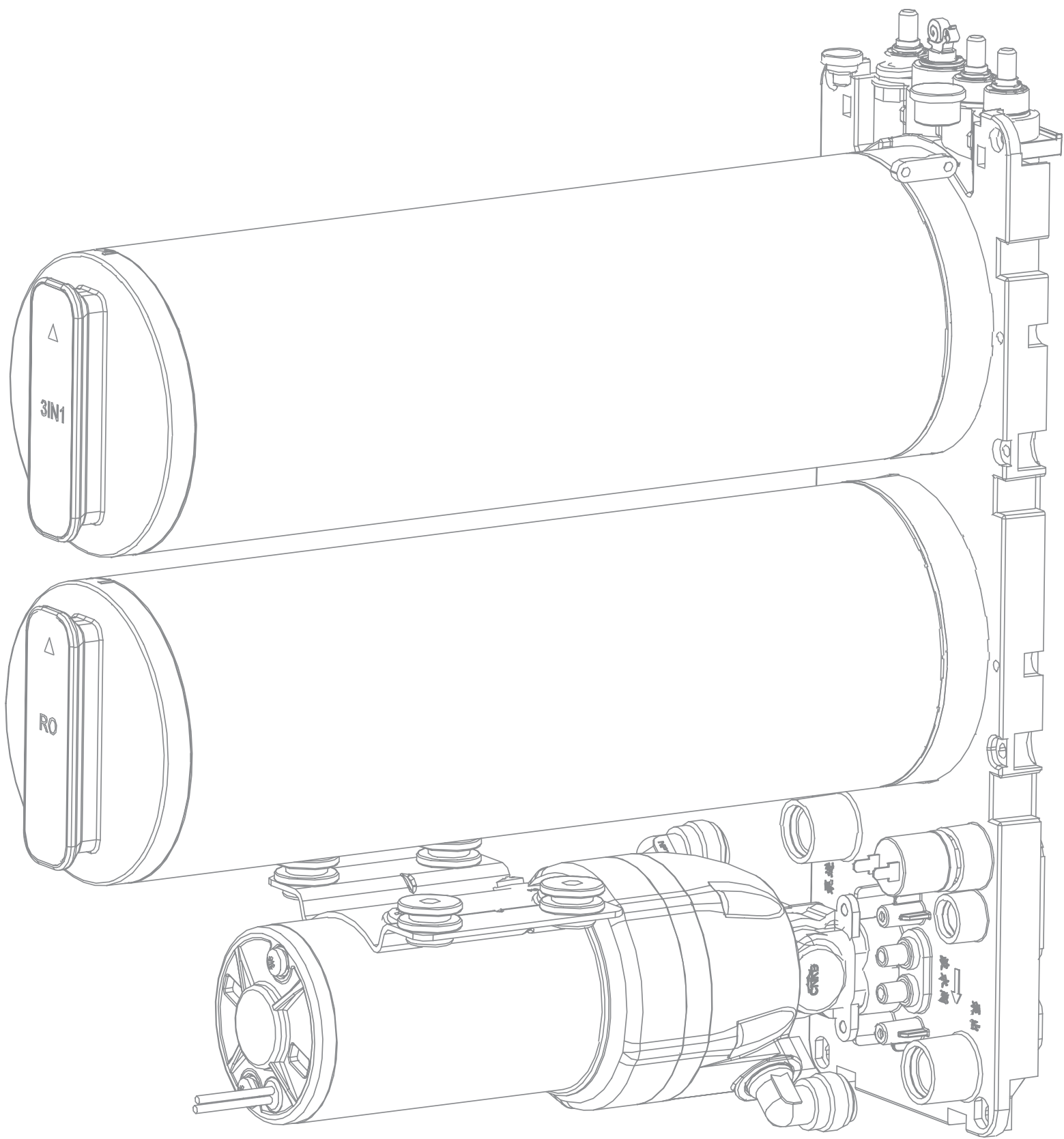


- Please read carefully before proceeding with installation. Your failure to follow any attached instructions or operating parameters may lead to the product's failure. Keep this Manual for future reference.
- Do not use with water that is microbiologically unsafe or of unknown quality without adequate disinfection before or after the system.
- If you are unsure about installing the CRO-800UX6, please contact your dealer.
- Test the water periodically to verify that the system is performing satisfactorily.
- Discard small parts remaining after the installation.
- Failure to install the system correctly voids the warranty.
- Handle all components of the system with care. Do not drop, drag or turn components upside down.
- Be sure the floor under the water filter system is clean, level and strong enough to support the unit.

**BRAND: AQUA FLO® MODEL: CRO-800UX6 ITEM NUMBER: 20010100**

**Canature WaterGroup Canada Inc.**  
855 Park St., Unit 1  
Regina, SK, S4N 6M1  
Toll Free: (877) 288-9888

**Canature WaterGroup U.S.A. Inc.**  
6353 Commerce Drive  
Whitestown, IN, 46075  
Toll Free: (877) 288-9888



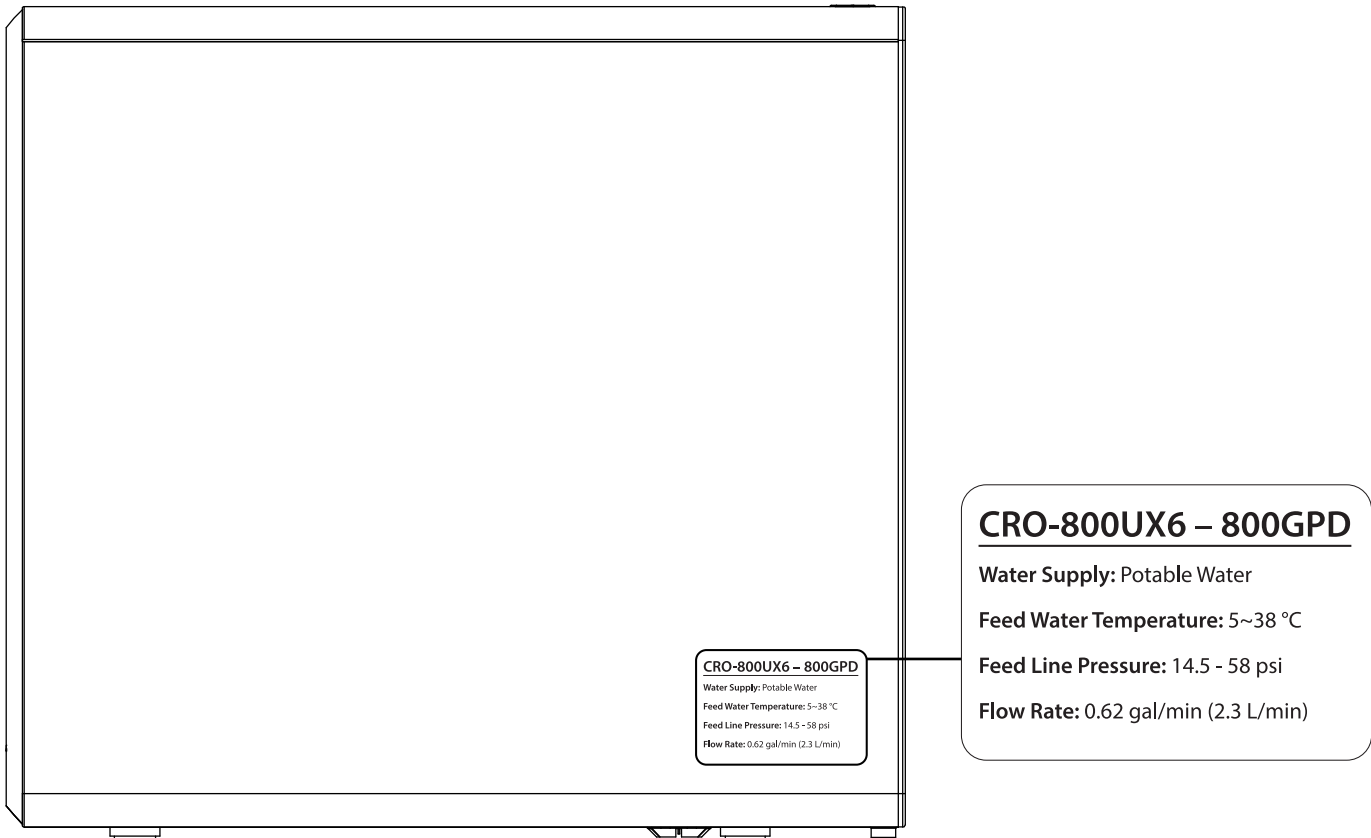
# IMPORTANT WARRANTY AND MAINTENANCE INFORMATION

Please have the information below filled out and available when calling in for parts or warranty:

Model number:
Serial number:
Date installed:
Installed by:

## CHECK MODEL LABEL AND SERIAL NUMBER

**Model Information and Serial Number are located on the side of the system as shown.**



# Table of Contents

<b>IMPORTANT WARRANTY AND MAINTENANCE INFORMATION</b>	<b>3</b>
<b>CHECK MODEL LABEL AND SERIAL NUMBER</b>	<b>3</b>
<b>READ THIS PAGE FIRST</b>	<b>5</b>
<b>RO SYSTEM SPECIFICATIONS</b>	<b>6</b>
<b>UNPACK &amp; INSPECT YOUR RO SYSTEM</b>	<b>7</b>
<b>RO SYSTEM DIMENSIONS</b>	<b>8</b>
<b>OVERVIEW OF THE RO SYSTEM'S COMPONENTS</b>	<b>9</b>
<b>INSTALLING RO UNIT</b>	<b>10</b>
<b>START-UP INSTRUCTIONS</b>	<b>14</b>
<b>LED DISPLAY &amp; TOUCH KEYS PROGRAMMING GUIDE</b>	<b>14</b>
<b>SERVICE AND MAINTENANCE</b>	<b>16</b>
<b>TROUBLE SHOOTING GUIDE</b>	<b>18</b>
<b>WARRANTY</b>	<b>20</b>

# READ THIS PAGE FIRST

- ▶ You must read and understand the contents of this manual before installing or operating your RO system.  
Personal injury or property damage could result if you fail to follow instructions in this manual.
- ▶ **WARNING!:** Do not use water that is microbiologically unsafe without adequate disinfection before or after this system.
- ▶ This system and its installation must comply with local regulations. Check with your local public works department for plumbing and sanitation codes. Local codes should be followed in the event the codes conflict with any content in this manual.
- ▶ This RO system must be operated on pressures between 14 psi to 58 psi. If the water pressure is higher than 58 psi, use a pressure reducing valve in the water supply line to the RO system.
- ▶ This unit must be operated at temperatures between 5°C - 38°C (41°F and 110°F)
- ▶ Do not use this appliance on hot water supplies.
- ▶ Do not install this unit where it may be exposed to wet weather, direct sunlight, or temperatures outside of the range specified above.
- ▶ The appliance is only to be used with the power supply unit provided with the appliance.

Recommended Influent Water Characteristic	
Pressure	14 - 58 psi (96-399 kPa)
Temperature	5°C - 38°C (41°F and 110°F)
Total Dissolved Solids (TDS)	0 - 2500 ppm (0 - 2500 mg/L)
pH	5 - 10
Chlorine <sup>1</sup>	0 - 3 ppm (0 - 3 mg/L)
Chloramine	0 - 3 ppm (0 - 3 mg/L)
Turbidity	0 - 10 NTU
Hardness <sup>2</sup>	0 - 10 gpg
Iron	0 - 1 ppm (0 - 1 mg/L)
Bacterial Quality	Potable

**Notes**

1. The reverse osmosis membrane used in these systems may be damaged by chlorine. These systems include activated carbon filters which protect the membranes by reducing chlorine. Influent chlorine should not exceed 3 mg/L.
2. A softener is strongly recommended for water over 10 gpg hard. Installing a system without a softener on water with hardness higher than 10 gpg will reduce the life of the membrane.

## INSTALL NOTES & SAFETY MESSAGES

Watch for the following messages in this manual:



**NOTE:** used to emphasize installation, operation or maintenance information which is important but does not present a hazard.



**CAUTION:** used when failure to follow directions could result in damage to equipment or property.



**WARNING:** used to indicate a hazard which could cause injury or death if ignored.

# RO SYSTEM SPECIFICATIONS

## CRO-800UX6

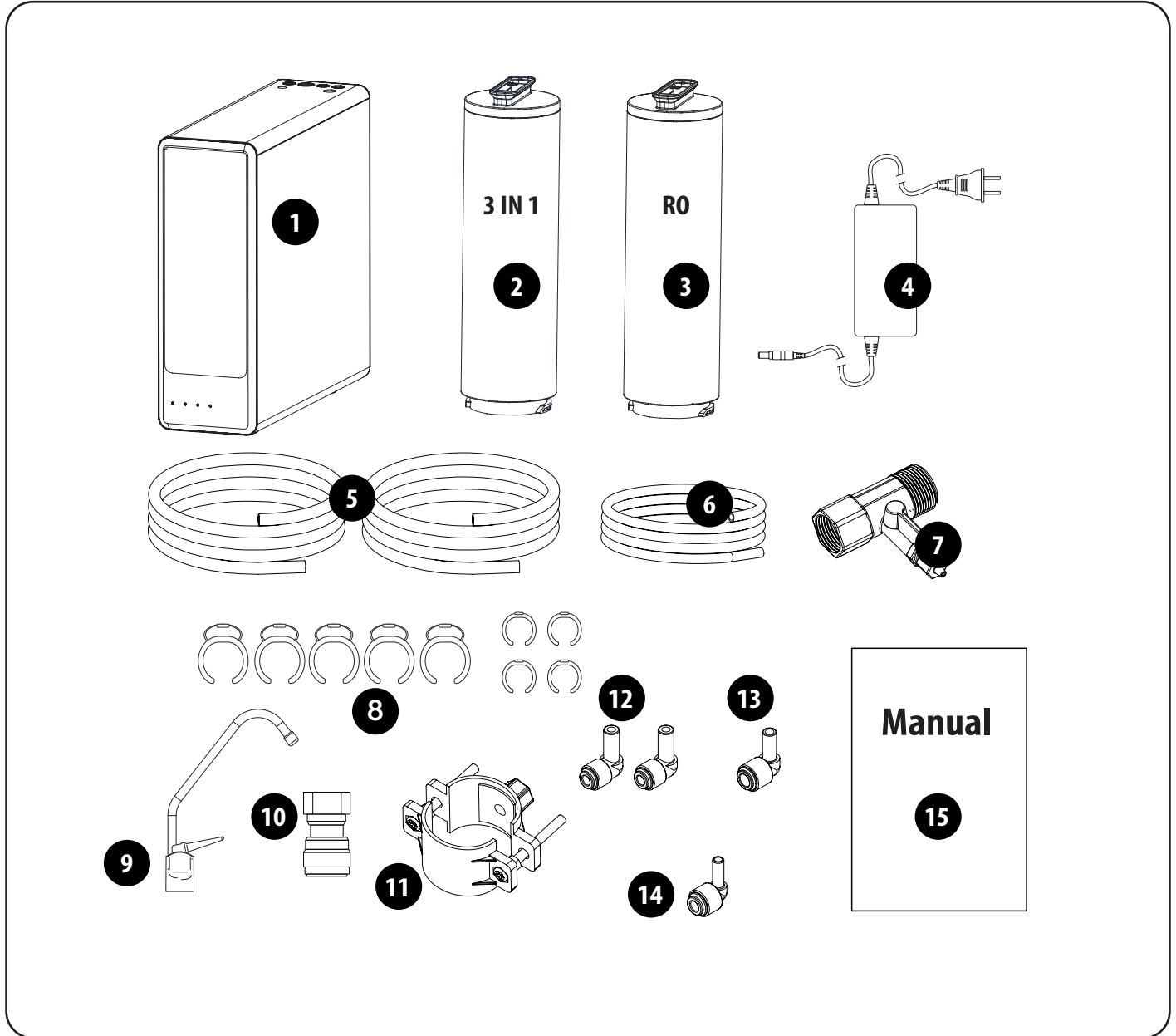
Model: CRO-800UX6		
Water Supply		Potable Water
Feed Line Pressure		14.5 - 58 psi
Flow Rate		0.62 gal/min (2.3 L/min)
Salt Rejection*		≥93.6%
Recovery*		65%
Feed Water Temperature		5~38 °C
Ambient Humidity		≤90%
Sound Level		≤60dB
Electrical	Input	100~240V AC 50/60Hz
	Output	DC24V 5A
	Power Used	120W
Membrane	Type	Thin Film Composite Membrane
	Rating	800 G
Connection	Faucet	3/8" Quick Connect
	Inlet	3/8" Quick Connect
	Drain	1/4" Quick Connect
Accessory		Faucet & Installation Kit Included
Product Dimension(WxDxH)		5.1x15.6x14.8 in.
Carton Dimensions(WxDxH)		14.1x18.8x17.3 in.

\*Salt rejection and water recovery are variable and can be effected by temperature and feed water conditions.

Model	Stage 1	Stage 2	Stage 3	Stage 4
CRO-800UX6	Sediment Filter	Pre Carbon Block Filter	Reverse Osmosis Membrane	Post Carbon Block Filter
	5 Micron	CTO	800 GPD	CTO

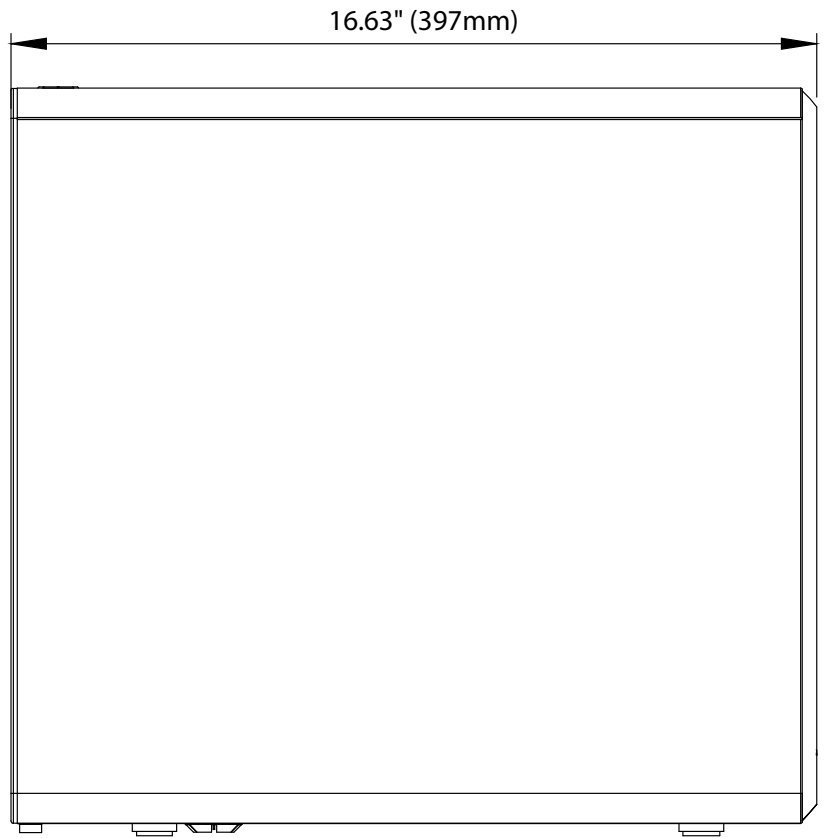
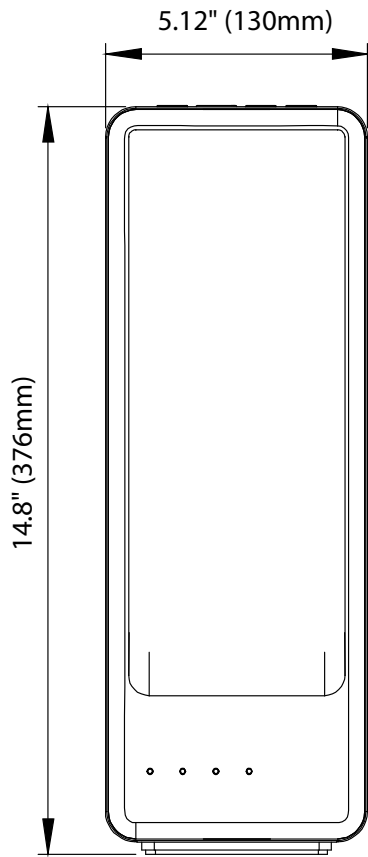
# UNPACK & INSPECT YOUR RO SYSTEM

## PACKAGE CONTENTS:



- |                                |   |
|--------------------------------|---|
| 1. RO Module Assembly × 1      | 8. Locking Clips (Large x 5, Small x 4)         |
| 2. 3 IN 1 Filter Cartridge × 1 | 9. Faucet × 1                                   |
| 3. RO Filter Cartridge × 1     | 10. 3/8" QC x 7/16-24UNS Connector (Faucet) × 1 |
| 4. Power Transformer × 1       | 11. Drain Saddle × 1                            |
| 5. 3/8" Tubing x 2             | 12. 3/8" QC x 1/4" Stem Elbow (Faucet) × 2      |
| 6. 1/4" Tubing x 1             | 13. 3/8" QC x 3/8" Stem Elbow (Inlet) × 1       |
| 7. 1/2" T-Adapter x 1          | 14. 1/4" QC x 1/4" Stem Elbow (Drain) × 1       |
|                                | 15. User Manual × 1                             |

# RO SYSTEM DIMENSIONS





# OVERVIEW OF THE RO SYSTEM'S COMPONENTS

## 1 RO Manifold Assembly

The manifold assembly serves as the functional hub of the RO manifold assembly by directing the flow through each of the system's main components.

## 2 Booster Pump

The booster pump built inside the manifold assembly improves the production rate and reduction of dissolved substances from water. It runs on electricity.

## 3 Automatic Solenoid Valve

The automatic solenoid valves are controlled by the program settings, it is used to control the water flow ON & OFF.

## 4 Low Pressure Switch

Low pressure switch ensures the boost pump runs safely. It will shut off the power to avoid the boost pump "run dry" if feed water pressure is less than 7 psi.

## 5 High Pressure Switch

As the faucet is closed, the high pressure switch will shut off the power to stop running the booster pump.

## 6 3 IN 1 Filter

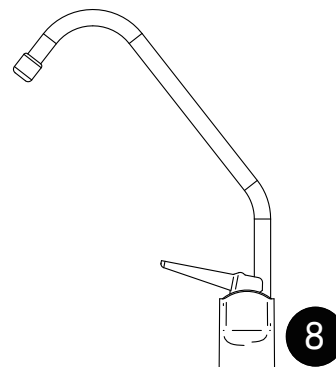
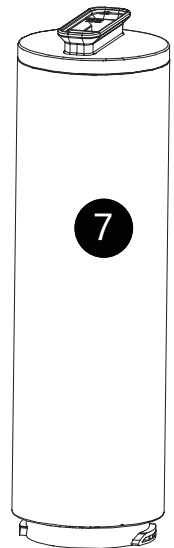
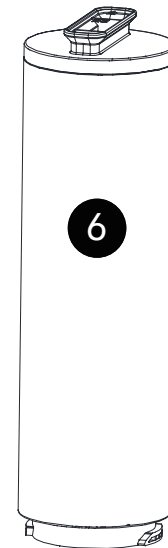
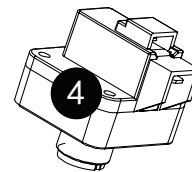
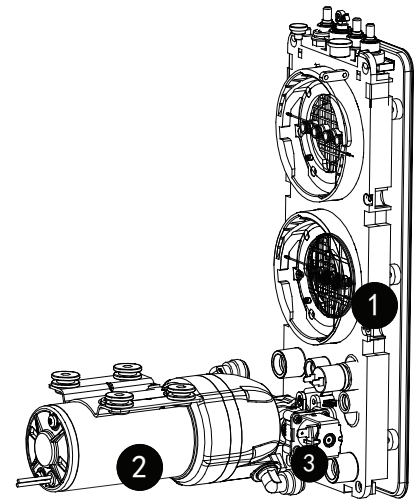
The 3 IN 1 filter assembly utilizes a well designed water flow structure to integrate PP (sediment) filter, pre carbon filter and post carbon filter into one filter cartridge. The sediment filter screens out particulate material, such as dirt, sand, or rust, which may clog the other filters in the system. The pre carbon filter reduces chlorine which may damage the RO membrane filter. It must be regularly checked and/or replaced to prevent premature membrane failure and poor water quality. The post carbon filter adsorbs any residual tastes and odors just before the water is delivered through the faucet.

## 7 Reverse Osmosis Membrane

The RO membrane reduces dissolved substances and other microscopic impurities. It consists of a membrane envelope wound around a perforated tube. Product water diffuses through the membrane to the inside of the envelope where it flows to and is collected by the tube. Impurities are flushed away in the drain stream. The RO membrane featured in the CRO-800UX6 system offers exceptional contaminant rejection, application versatility and long life. The membrane material is sensitive to an attack by chlorine. The activated carbon filter must be maintained properly to prevent premature failure of the RO membrane.

## 8 Faucet

The faucet allows the product water to be drawn from the system with a simple press of the handle.



## NOTE

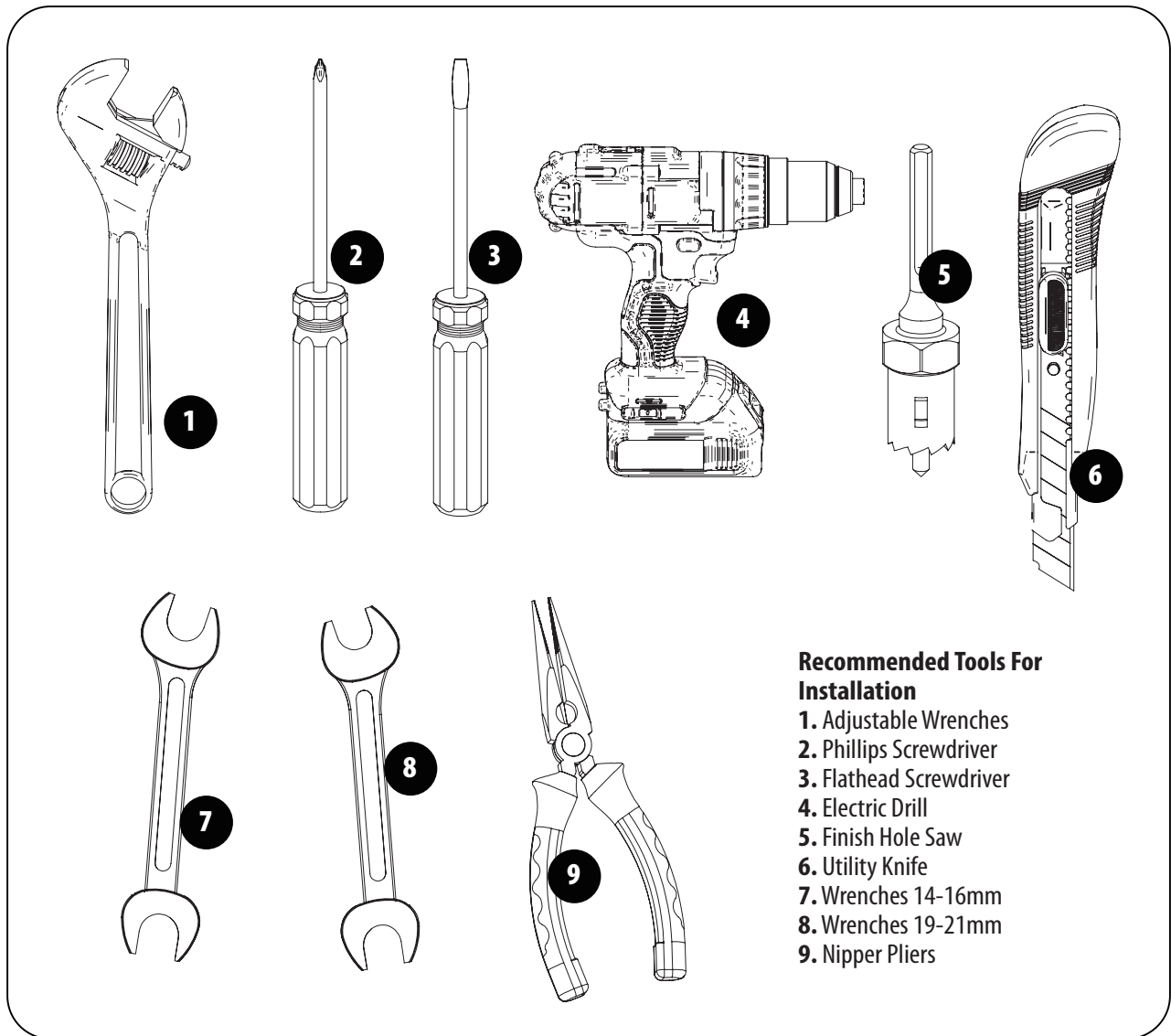
Cleanliness is essential in the preparation procedure. Be sure to wash your hands thoroughly before handling filters. The use of surgical gloves is strongly recommended.

# INSTALLING RO UNIT

## Before Installation

1. Check the accessories in the packing box and confirm if they are complete.
2. Shut off the water supply before installation.
3. Prepare the tools that are required for installation.

## Suggested Installation Tools



### NOTE

As installations may vary, some extra plumbing connection fittings may be required.

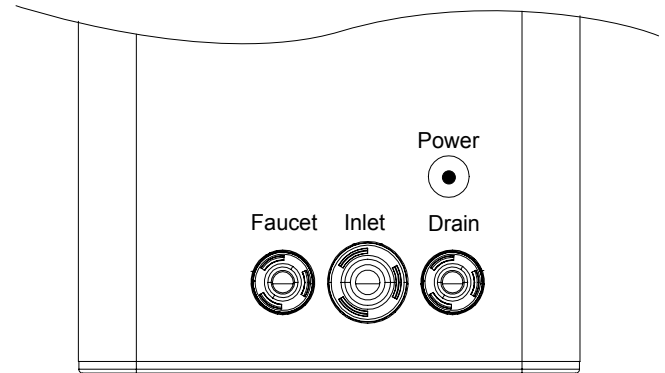
## Tubing Connections

**Faucet:** Connect to RO water faucet

**Inlet:** Connect to Feed Water

**Drain:** Connect to Drain Water

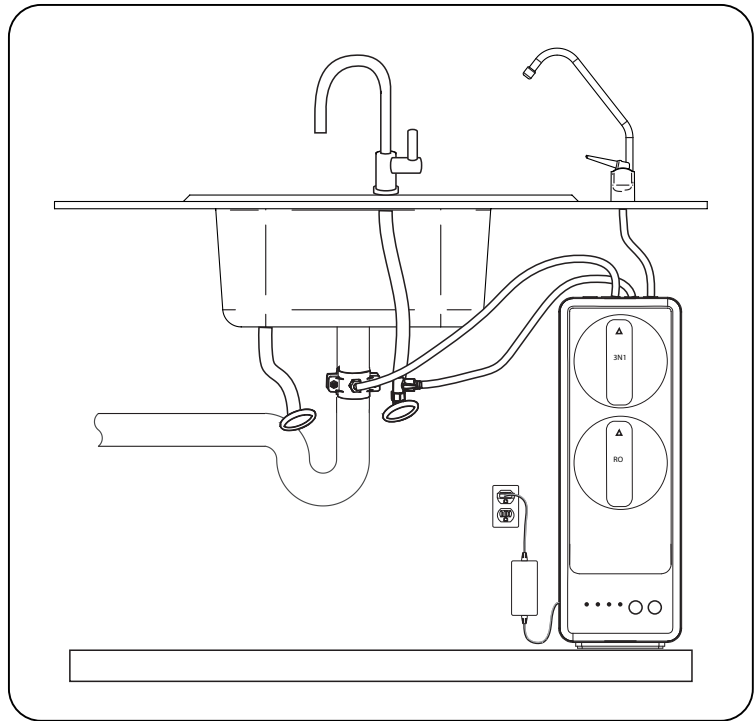
**Power:** Connect to Power Supply



The following steps will enable you to install the system quickly and orderly. Some variation may be necessary depending on the installation.

### Typical installations follow this sequence:

1. Select System Installation Locations
2. Faucet Installation
3. Install T-Adapter on Water Supply
4. Connect System Drain
5. Install Filter Cartridges
6. Start Up the System



## Step-1 Select System Installation Locations

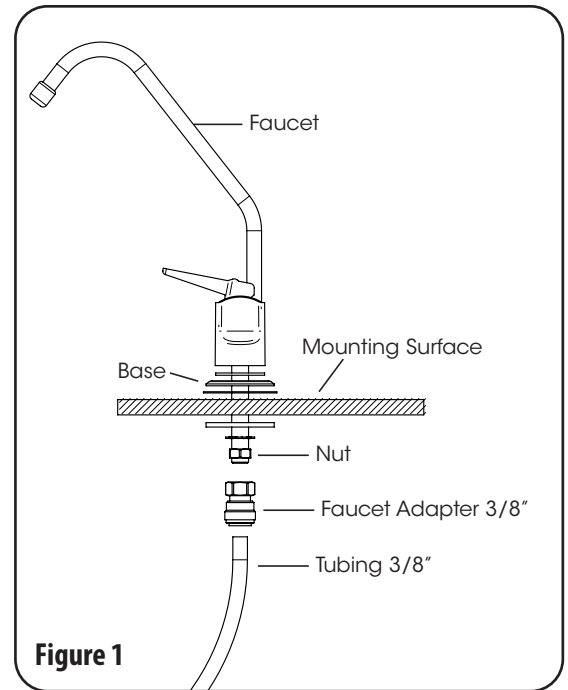
### Important Considerations:

- ▶ Access to the bottom (undersink) of the faucet is required for attachment of product water line.
- ▶ There should be no undersink obstructions which would prevent smooth tubing runs to the inlet, faucet, drain connection, or RO module assembly.
- ▶ A nearby electrical power socket is required for operation, check the electrical power requirement on transformer.
- ▶ The RO system assembly is designed to be installed on counter top or under sink. It should be positioned such that there is access to an inlet water source and drain. The installation should also allow convenient access for servicing.
- ▶ Be sure the floor under the RO system is clean, level and strong enough to support the unit.

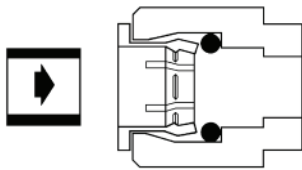
## Step-2 Faucet Installation

**Dispenser Faucet**—The faucet is designed to be mounted on the rear lip of the sink. It may be installed in an existing sprayer attachment hole or in a hole drilled at the time of installation. It may also be mounted to an adjacent counter top. It should be positioned so that water is dispensed over the sink. A 1/2" (12mm) diameter hole is required.

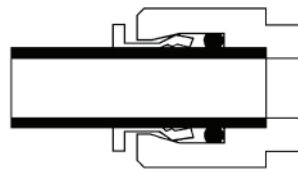
1. Drill a 1/2" (12mm) hole at a proper location on the mounting surface, and install the faucet as shown in **figure 1**.
2. Tighten the nut and be sure to properly align the faucet.
3. Insert the faucet adaptor to the bottom of faucet.
4. Take out the 3/8" tubing from the accessory bag, cut it to proper length, attach one end to the faucet adaptor, attach the another end to the faucet connection on RO module assembly, make sure the tubings are fully seated.



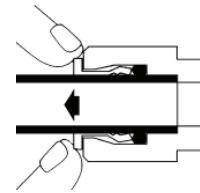
**The RO system features reliable and convenient push-to-connect tubing connectors. Tubing is easily connected and disconnected from these fittings as follows.**



1. Simply push in tube to attach.



2. Tube is securely in position.



3. Push in collet from both sides to release tubing.

### NOTE

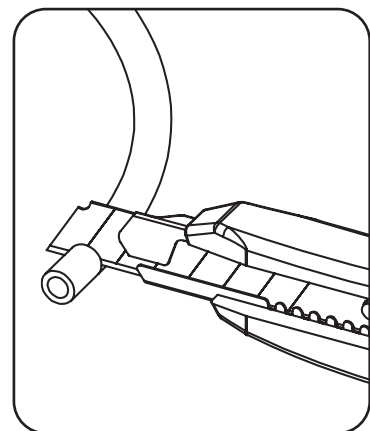
Make sure to use the blue clips for all tubing connections.

#### Connect:

Cut the tubing squarely with a sharp knife. Be careful not to crush the tubing. To avoid leaks, make sure the tubing end is smooth and free of burrs and abrasions. Lubricate the end of the tube with water or a light coat of silicone and push the tube end firmly into the fitting. You should feel it push past the O-ring. Avoid bending the tubing sharply away from the fitting.

#### Disconnect:

Hold the collar against the fitting body and pull the tube from the fitting. In the unlikely event that the connection leaks, remove and recut the tubing. Check the inside of the fitting for debris or O-ring damage. Reconnect. Push-to-connect tubing connectors grip the outside diameter of the tube. To help assure a reliable connection, it is important to use high quality tubing with a consistent outside diameter.



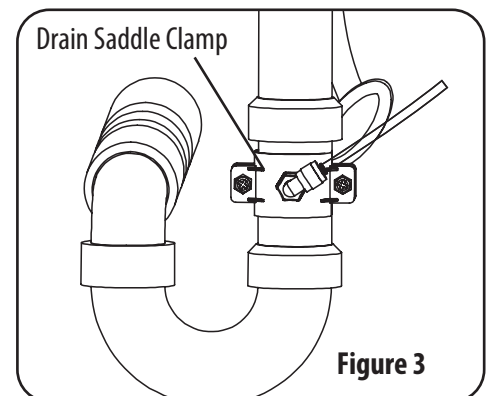
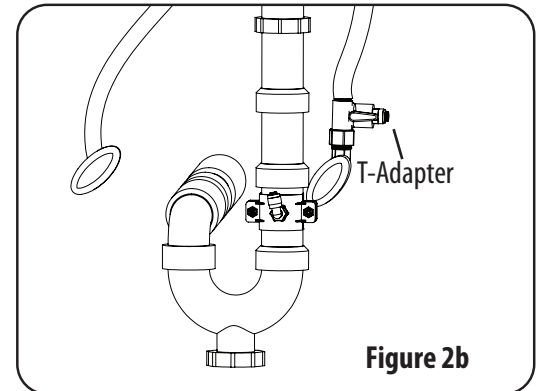
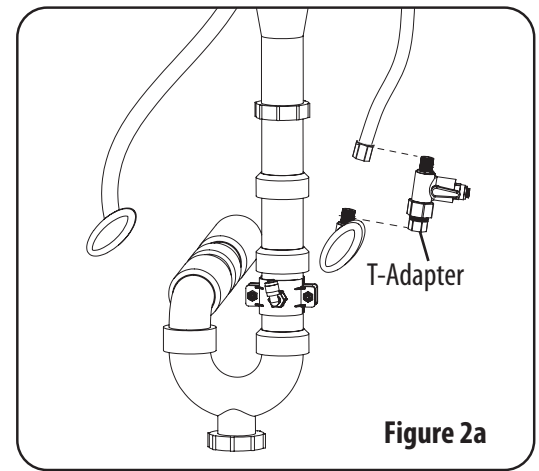
## Step-3 Install T-Adapter

1. Turn off the cold water supply, disconnect the hose pipe. Take the T-Adapter out from the accessory bag, install it on the pipe line as shown in figure 2a & 2b.
2. Take out the 3/8" tubing from the accessory bag, cut it to proper length, attach one end to the T-Adapter, attach the other end to the Inlet water connection on RO module assembly, make sure the tubings are fully seated.

## Step-4 Connect System Drain

1. Take out the 1/4" tubing from the accessory bag, cut it to proper length, attach one end to the drain water connection on RO module assembly and attach the another end to the drain pipe line **figure 3**. Make sure the tubings are fully seated.

Connections to undersink plumbing can be made with a saddle clamp designed to accept the drain tubing from the RO module assembly. Drain Saddle Kit is supplied for 1-1/2" under sink drain plumbing (Figure 3). A 1/2" hole will need to be drilled into the drain pipe at the location the drain clamp is to be installed. Be sure to check and follow local plumbing codes prior to installation.





### CAUTION!

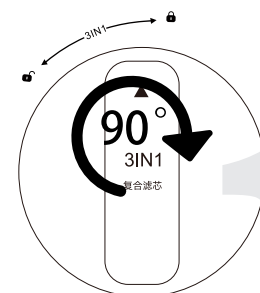
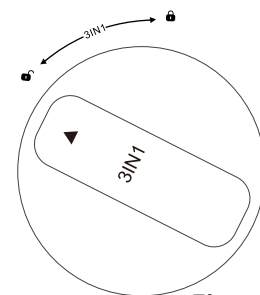
The Adapter valve should be connected to cold water supply only. Connection to hot water supply will damage the system and will void all warranty.

### NOTE

The installation figures shown are only for reference, it may vary from different installation sites and conditions.

## Step-5 Install Filter Cartridges

1. Take out the filter cartridges from the carton box.
2. Insert the 3IN1 Cartridge in upper hole, the triangle icon on top of filter element should be pointed at the icon  **figure 4**.
3. Gently press the filter element and rotate it 90° clockwise, ensure the triangle icon on top of filter element point at  icon **figure 5**.
4. Follow step 2 and 3 to install the RO membrane cartridge.



# START-UP INSTRUCTIONS

## Step-6 Start-Up Instructions

1. Check system to verify all components are correctly installed.
2. Open inlet valve, connected to water supply.
3. Plug in power cord, connect power on.
4. Open the faucet and let the water flow through each filter elements.
5. Flush the filter elements for around 10 minutes. It is normal to see black carbon fines in water.
6. Check system thoroughly for leaks. If any are found, shut off both inlet and power, then correct the issue.
7. After flushing process, close the faucet to make sure the boost pump stops working.
8. Reset the filter elements life following the instructions on Page 15.
9. If all above is done correctly, your RO system is ready to use.



### CAUTION!

Do not drink water produced by the system until the Start-Up procedure has been followed completely!

## LED Display & Touch Keys Programming Guide

When the power is on, all lights will flash 3 times (blue-red-blue) along with one beep sound, if no error is found, then the system will automatically flush itself for 30 seconds.

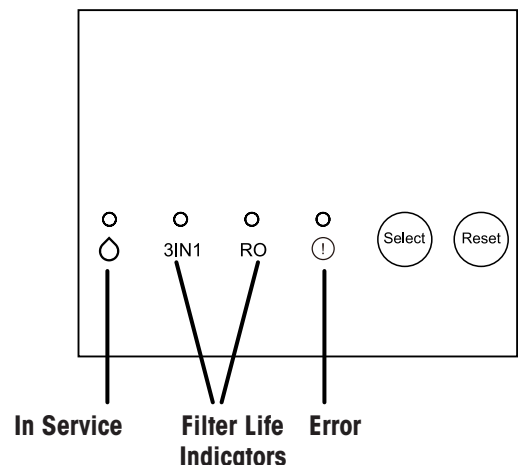
At standby status, light "3IN1", "RO" and "Error" will automatically turn off if no key is operated in 1 minute.

**"Select" Key Used For:**

- 1) Select the desired filter element to reset filter life.
- 2) Press and hold "Select" and "Reset" key for 3 seconds to have an automatic forced rinse.

**"Reset" Key Used For:**

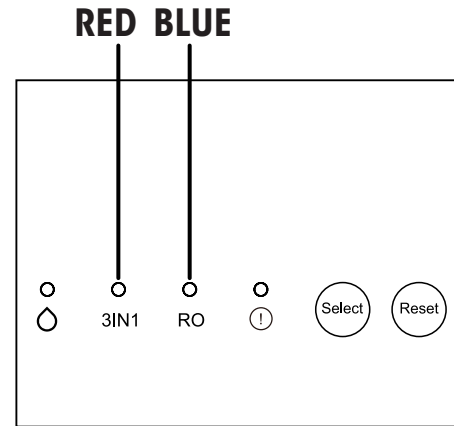
- 1) Press and hold "Reset" key for 3 seconds to enter Filter Life Reset programming.
- 2) Touch "Select" key to select the desired filter element to reset life. Press and hold "Reset" key for 3 seconds, filter life is reset.



## Filter Life Indication:

As more water is treated, the filter will become exhausted and need to be replaced. When either the filter or the membrane becomes exhausted the indicator light will turn from blue to red. Note: The 3 in 1 filter will require more frequent changes than the RO membrane.

After the filter is replaced and filter life is reset, the filters' light will be blue.



## Types of Filter Element Flush:

- 1. Power on:** RO system will automatically have a rinse for 30 seconds when the power is supplied.
- 2. Forced:** Press and hold "Select" and "Reset" key for 3 seconds, RO system will automatically have a rinse for 18 seconds and will turn off automatically. Press "Select" and "Reset" key again will stop the rinse.
- 3. After Producing Water:** If the system produces water  $\geq$  1 hour and if no flush occurs during this time, after the faucet is closed, it will automatically rinse for 18 seconds. The system will automatically reset the count down for one hour if any flushing occurs.
- 4. Standby:** If the system is not used in 24 hours and there has not been a rinse, the system will automatically initiate a rinse for 18 seconds.

## How to Reset Filter Elements Life

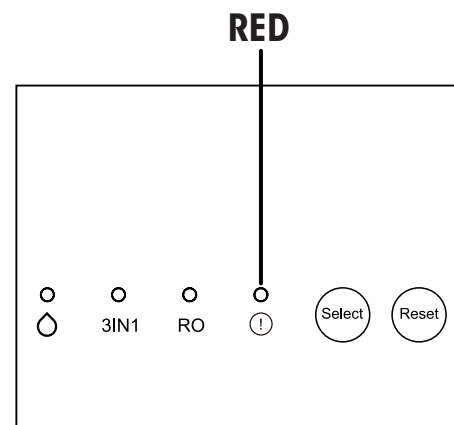
1. Press and hold "Reset" key for 3 seconds to enter Filter Element Reset program.
2. Touch "Select" key to choose the filter element you are ready to reset life.
3. Press and hold "Reset" key for 3 seconds, after that you will hear two times beep sound, that means the filter element life has reset successfully.

## NOTE

In the process of filter reset, if no key is operated for 10 seconds, system will exit Filter Element Reset program.

## Leak Alert

The CRO-800UX6 comes with a leak detector mounted on the bottom of the system that provides an audible and visual alarm if it detects any water on the surface below. The systems solenoid valves and pump will shut off preventing further leaking. The warning light will be red and an audible beep will continue until the leak is addressed. To silence the alarm, dry the surface and leak detector and then unplug for a few seconds and then plug back in to reset.



# SERVICE AND MAINTENANCE

## Service Schedule

To keep the RO system operating properly, it is necessary to change the filter elements periodically. Typically, this should be done on an annual basis. Service frequency may vary depending on local water conditions. High sediment, chlorine, turbidity, or hardness levels may require more frequent service.

## Use the Following as a Guide:

Cartridge	Time (Months)	Volume (Liters)	Volume (Gal)
#65011215: 3 in1 Filter	6~12 months	3,785	2,000
#65011216: RO Filter	12~24 months	12,113	3,200

*Note: Filter life may vary greatly depending on different water quality, RO filter life will be affected by other factors. The service schedule above is only for reference.*

## NOTE

CRO-800UX6 is designed only for household use, do not install the system where the water usage demand is high.


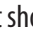

## Filter Element Should Be Replaced If Following Situations Occur:

1. Produced water quality is poor, tastes bad.
2. Product water rate decrease dramatically, 3IN1 filter or RO membrane may clog. ( Make sure it is not caused by cold water temperature)
3. Filters are heavily clogged, almost no produced water.



# SERVICE AND MAINTENANCE (CONTINUED)

## How to Replace Filter Elements:

1. Close the Inlet valve to shut off water supply.
2. Open the faucet to release pressure.
3. Turn off power supply.
4. Rotate the old filter element 90° counter-clockwise, so the triangle icon on top of filter element is pointed at  icon, take out the old element See **Figure 6**.
5. Insert the new filter element into the correct hole of filter manifold, the triangle icon on top of filter element should be pointed at the  icon.
6. Gently press the filter element and rotate it 90° clockwise, ensure the triangle icon on top of filter element is pointed at  icon, See **Figure 7**.
7. Turn on the power and open inlet valve.
8. Follow the instructions on Page 15 to reset filter element life.
9. Flush the new installed filters for 5~10 minutes.
10. Filter element replacement complete.

### NOTE

Always follow the steps below prior to replacing the filters.

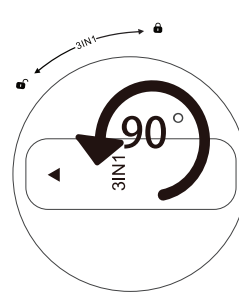


Figure 6

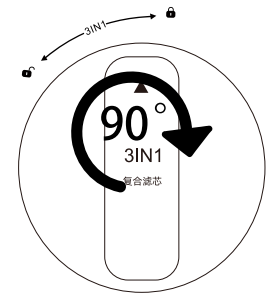


Figure 7

**1. Shut off water supply. —> 2. Open the faucet. —> 3. Turn off power supply**

## Application Notes:

1. Product Water Rate: Product flow are variable and can be affected by water temperature and pressure. The product flow rate stated in the performance data sheet is tested at standard conditions.
2. Disposal of Replaced Filter Element: The replaced filters can not be recycled or reused, it is recommended to discard it as household garbage.
3. When you are on vacation or not using the system for a long time, please close the inlet valve and turn off power supply.
4. If any of the following occurs, please shut off the water supply and power supply immediately and fix the issue.
  - 4.1 If any water leak is found somewhere.
  - 4.2 System's component is malfunctioning.
  - 4.3 Electrical leak is found somewhere.
  - 4.4 Any other abnormal situation or fault.

# TROUBLE SHOOTING GUIDE

Problem	Possible Solutions
<p><b>1. Pump Not Running, No Product Water</b></p> <p>A. Power supply is not on.            B. Transformer is damaged.            C. Filter element life expired.            D. Leak is detected by system.            E. System continuously producing water for 6 hours.            F. Low incoming water pressure.            G. Low pressure switch is malfunctioning, power is not switched to pump.            H. High pressure switch is malfunctioning and not reset itself.            I. Pump is damaged.</p>	<p>A. Plug in the power supply or wait for power to restore.            B. Replace the transformer            C. Replace filter            D. Check the leak and remedy it.            E. Unplug the power and replug it.            F. Increase incoming water pressure to allow low pressure switch on.            G. Replace low pressure switch.            H. Replace high pressure switch.            I. Replace the pump.</p>
<p><b>2. Pump Continuously Running.</b></p> <p>A. Pump is malfunctioning.            B. High pressure switch is malfunctioning.</p>	<p>A. Replace the pump.            B. Repair high pressure switch or replace it.</p>
<p><b>3. Pump Continuously On &amp; Off .</b></p> <p>A. Low incoming water pressure.            B. Low pressure switch is malfunctioning.            C. High pressure switch is malfunctioning.            D. Leak happens somewhere in system.</p>	<p>A. Increase incoming water pressure.            B. Replace low pressure switch            C. Replace high pressure switch            D. Find the leak and fix it.</p>
<p><b>4. Not Enough Product Water</b></p> <p>A. Feed water valve is plugged or closed.            B. Sediment/Carbon prefilter or Carbon Post Filter is clogged.            C. Low incoming water pressure.            D. Reverse Osmosis Membrane is fouled.</p> <p>E. The Faucet is out of adjustment or faulty.            F. No water to drain. Drain Flow Restrictor is clogged.</p>	<p>A. Open valve or unclog.            B. Replace filters.            C. Increase incoming water pressure.            D. Make sure incoming water pressure is within operating limits. Make sure drain line is not clogged. Correct cause of fouling and replace RO Membrane.            E. Repair or replace Faucet.            F. Replace flush solenoid valve.</p>
<p><b>5. Product Water is High in TDS</b></p> <p>A. Clogged Prefilter.            B. Reverse Osmosis Membrane is expended.</p> <p>C. Product water and drain water lines are reversed.            D. No water to drain. Drain Flow Restrictor is clogged.            E. New Carbon Postfilter has not been rinsed completely.            F. The incoming feed water TDS has increased.</p>	<p>A. Replace Filter.            B. If Membrane life is unusually short, find and correct the problem. (Average life 1 to 2 years.) Replace RO Membrane.            C. Correct plumbing.            D. Replace flush solenoid valve.            E. Open the faucet and flush the post carbon filter for 10 minutes.            F. An increase in feed water TDS will also give an increase in Product Water TDS.</p>
<p><b>6. Tastes and Odors in Product Water</b></p> <p>A. Carbon Post Filter is exhausted.            B. Product water and Drain water lines are reversed.            C. Increase in Product Water TDS.</p>	<p>A. Replace Post Carbon Filter.            B. Correct plumbing.            C. Replace RO Membrane.</p>
<p><b>7. Faucet Leaks or Drips</b></p> <p>A. Water leaks from faucet spout.</p>	<p>A. Replace the faucet.</p>
<p><b>8. External Leak on Connection</b></p> <p>A. Tubing not fully seated in fitting.            B. Tubing abraded in seal area.            C. O-rings sealing aging.</p>	<p>A. Check all fittings for tightness.            B. Recut tubing and redo connection.            C. Replace the O-rings.</p>



# AQUA FLO®

## **Aqua Flo® Reverse Osmosis Limited 2 Year Warranty**

Subject to the conditions and limitations described below, Canature WaterGroup™ warrants its AquaFlo® Reverse Osmosis Drinking Water Treatment Systems (excluding membrane and cartridge filters), when installed in accordance with Canature WaterGroup™ specifications, to be free from defects in materials and workmanship under normal use within the operating specifications for a period of two (2) years from the date of purchase (with bill of sale). This warranty shall apply to the original enduser of the system only.

Other than the membrane and cartridge filters, any part found defective within the terms of this warranty will be repaired or replaced by Canature WaterGroup™. If any part is found defective, Canature WaterGroup™ also reserves the right to replace the drinking water appliance with a comparable Canature WaterGroup™ drinking water system of equal or greater quality. You pay only freight for repaired or replaced parts from our factory.

This warranty shall not apply to any part damaged by accident, fire, flood, freezing, Act of God, bacterial attack, membrane fouling and/or scaling, sediment, misuse, misapplication, neglect, alteration, installation, or operation contrary to our printed instructions, or by the use of accessories or components which do not meet Canature WaterGroup™ specifications. If the drinking water system is altered by anyone other than Canature WaterGroup™ the warranty shall be void.

ALL IMPLIED WARRANTIES, INCLUDING WITHOUT LIMITATION WARRANTIES OF MERCHANTABILITY AND FITNESS FOR PARTICULAR PURPOSE, ARE LIMITED TO THE DURATION OF THE PERIOD SPECIFIED ABOVE FOR THE PARTS DESCRIBED IN THIS LIMITED WARRANTY.

As a manufacturer, we do not know the characteristics of your water supply. The quality of water supplies may vary seasonably or over a period of time. Your water usage may vary as well. Water characteristics can also change if the drinking water appliance is moved to a new location. For these reasons, we assume no liability for the determination of the proper equipment necessary to meet your requirements, and we do not authorize others to assume such obligation for us. Further, we assume no liability and extend no warranties, express or implied, for the use of this product with a non-potable water source or a water source which does not meet the conditions for use as described in the Owners Guide.

CANATURE WATERGROUP'S™ OBLIGATIONS UNDER THIS WARRANTY ARE LIMITED TO THE REPAIR OR REPLACEMENT OF THE FAILED PARTS OF THE DRINKING WATER SYSTEM, AND WE ASSUME NO LIABILITY WHATSOEVER FOR DIRECT, INDIRECT, INCIDENTAL, CONSEQUENTIAL, SPECIAL, GENERAL OR OTHER DAMAGES.

**TOLL FREE: 1-877-288-9888**

**[www.canaturewg.com](http://www.canaturewg.com)**