



esybox mini³

ELECTRONIC PRESSURISATION SYSTEM





TECHNICAL DATA

Operating range:

capacity up to 22 gpm (80L/min); head up to 183 ft (56 m) - (80 psi)

Liquid quality requirements: clean, free from solid or abrasive contaminants, non-viscous, non-aggressive, uncrystallised and chemically neutral.

Liquid temperature range: from 32°F to +95°F (0°C to +35°C) for domestic use for other use: from 32°F to +104°F (0°C to +40°C)

Maximum suction depth: 26 ft (8 m)

Maximum ambient temperature: +122°F (+50°C)

Maximum pressure: 108 psi (7.5 Bar)

Maximum setable pressure: 79 psi (5.5 Bar)

Motor protection rating: IPX4

Insulation class: F

Installation: Horizontal or vertical fixed position

Approvals: CSA certification to

CSA Standard C22.2 No 108- 14 Liquid Pumps.

UL Standard 778- 5th Edition- Motor operated water pumps

NSF/ANSI 61 - 2014a - Drinking Water System Components – Health Effects

NSF/ANSI 372 - 2011 - Drinking Water System Components – Lead Content

Special versions on request: alternative types of electrical plug

APPLICATIONS

ESYBOXmini³ is the DAB compact automatic pressurisation system for the water supply of a single dwelling. ESYBOX mini guarantees the comfort of constant pressure (Pressure Set Point adjustable from 15 up to 79 psi (1 - 5.5 Bar) inside the system, and energy savings thanks to the inverter technology. Suitable for use with drinking water, in domestic systems, and in gardening applications. ESYBOX mini does not require any additional components for its installation.

CONSTRUCTIONAL FEATURES

It consists of a high frequency self-priming double impeller pump, management inverter electronics, pressure and flow sensors, adjustable high resolution LCD display with 1/4 gal (1 L) built-in expansion vessel, and cartridge check valve.

The double suction and delivery ports allow both vertical and horizontal installation.

Thanks to its compact sizes, installation is also possible in difficult places without high air exchange.

The ESYWALL wall bracket allows wall installation, saving even more room.

ESYBOXmini³ is a self-priming pump with a capability of 26 ft (8 m) in less than 5 minutes.

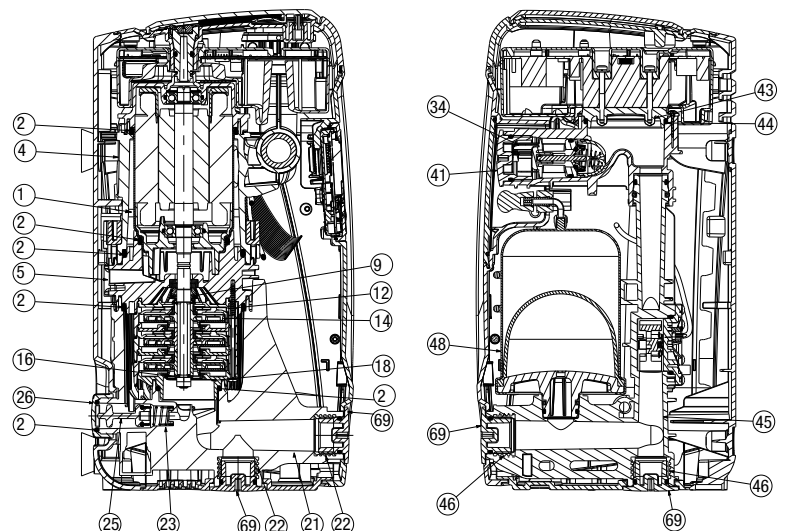
The water cooled motor, the anti-vibration feet and the electronics, make this product totally comfortable and compact.

Fitted with all the safety protections, as well as the protections for the safeguard of the pump. Particularly, the dry run, and the antifreeze protections.

All the parameters and the operating status can be displayed and set on the high resolution LCD display.

MATERIALS

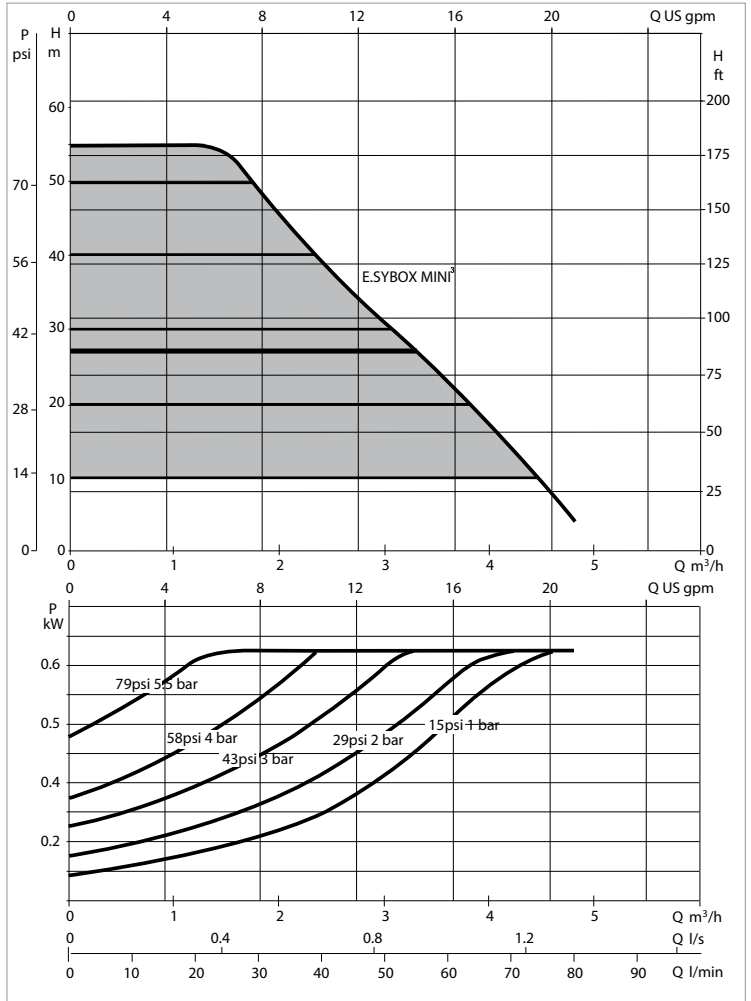
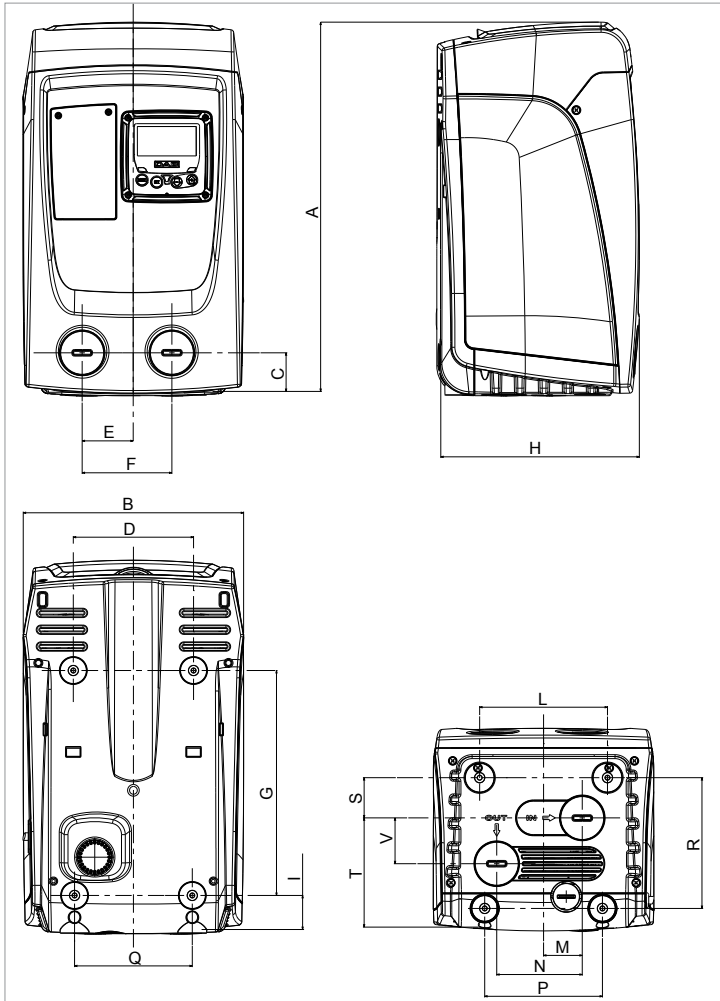
N°	PARTS	MATERIALS
1	MOTOR SLEEVE	STAINLESS STEEL AISI 304
2	O-RING	NBR
4	MOTOR BODY	PP OMO 30% GF
5	MECHANICAL SEAL DISC	PA 6.6 30% GF
9	MECHANICAL SEAL	CARBON IMPREGNATED RESIN/ SILICON CARBIDE / NBR
12	DIFFUSER	NORYL
14	IMPELLER	NORYL
21	SUCTION BODY	PP OMO 30% GF
22	INSERT 1"	BRASS
23	SHUTTER SPRING	STAINLESS STEEL AISI 303
25	SELFPRIMING SHUTTER	POM
26	1" PLUG	PP OMO 30% GF
34	NON RETURN VALVE	TECHNOPOLYMER/RUBBER/STEEL
41	1" 1/4 PLUG	PA 6.6 30% GF
43	HEAT SINK	BRASS
45	DELIVERY BODY	PP OMO 30% GF
46	INSERT 1"	BRASS
48	VESSEL 1L	TECHNOPOLYMER/RUBBER
51	FLOWMETER WHEEL	POM
56	PRESSURE SENSOR BODY	TECHNOPOLYMER
69	1" PLUG	PA 6.6 30% GF



ESYBOX_{MINI}³ - ELECTRONIC PRESSURISATION SYSTEM FOR DOMESTIC WATER SUPPLY

Liquid temperature range: from 32°F to +95°F for domestic use - from 32°F to +104°F for other uses.

Maximum ambient temperature: +122°F

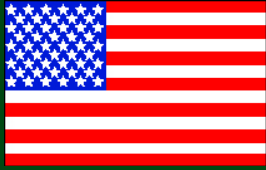


The performance curves are based on the kinematic viscosity values = 1 mm²/s and density equivalent to 1000 kg/m³. Curve tolerance according to ISO 9906.

MODEL	Q=gpm	4	8	12	16	20
	Q=l/min	15.14	30.28	45.42	60.57	75.71
E.SYBOX _{MINI} ³	H (ft)	180	160	112	74.8	29.5
	H (m)	55	49	34.2	22.8	9

MODEL	N° IMPELLER	POWER SUPPLY 50/60 Hz	ELECTRICAL DATA		In A
			P1 MAX		
			kW	HP	
E.SYBOX _{MINI} ³	3	115/230V ~	0.85	1.1	9.6 - 4.8

MODEL		A	B	C	D	E	F	G	H	I	L	M	N	P	Q	R	S	T	V	DNA	DNM	PACK DIMENSIONS			GROSS weight		
		inch	17.28"	10.35"	1.18"	5.63"	2.39"	4.20"	10.53"	9.29"	1.59"	5.98"	1.81"	4.00"	5.51"	5.51"	6.12"	1.88"	5.11"	2.15"	1"NPT	1"NPT	L/A	L/B		H	
		mm	439	263	46	143	60.7	106.7	279.5	236	40.5	152	46	101.7	140	140	155.5	47.8	133	54.5	1"NPT	1"NPT	300	500		320	32.2 lbs
E.SYBOX _{MINI} ³																											14.6 kg



DAB PUMPS INC.

3226 Benchmark Drive
Ladson, SC 29456 - USA

www.dabpumps.us
service.us@dabpumps.com
Tel. 1-843-797-5002
Fax 1-843-797-3366



DAB PUMPS LTD.
UNIT 6
GILBERD COURT INDUSTRIAL PARK
COLCHESTER
CO4 9WN- UK
salesuk@dwgroup.com
Tel. +44 1279 652 776
Fax +44 1279 657 727



DAB PUMPS IBERICA S.L.
Avenida de Castilla nr.1 Local 14
28830 - San Fernando De Henares - Madrid
Spain
info.spain@dwgroup.com
Tel. +34 91 6569545
Fax: +34 91 6569676



DAB PUMPS INC.
3226 Benchmark Drive
Ladson, SC 29456 - USA
info.usa@dwgroup.com
<http://www.dabpumps.us>
Tel. 1-843-797-5002
Fax 1-843-797-3366



DAB PUMPS B.V.
T HOFVELD 6 C1
1702 GROOT-BIJGAARDEN - Belgium
info.belgium@dwgroup.com
Tel. +32 2 4668353
Fax +32 2 4669218



DAB PRODUCTION HUNGARY KFT.
H-8800
Nagykanizsa, Buda Ernő u.5
Hungary
Tel. +36 93501700



DWT SOUTH AFRICA
Podium at Menlyn,
3rd Floor, Unit 3001b, 43 Ingersol Road,
C/O Lois and Atterbury street,
Menlyn, Pretoria, 0181 - South-Africa
info.sa@dwgroup.com
Tel. +27 12 361 3997
Fax +27 12 361 3137



DAB PUMPS B.V.
Albert Einsteinweg, 4
5151 DL Drunen - Nederland
info.netherlands@dwgroup.com
Tel. +31 416 387280
Fax +31 416 387299



DAB PUMPS POLAND Sp. z o.o.
Mokotow Marynarska
ul. Postępu 15C
02-676 Warszawa - Poland
Tel. +48 223 81 6085



DAB PUMPS CHINA
No.40 Kaituo Road, Qingdao Economic & Technological
Development Zone
Qingdao City, Shandong Province - China
PC: 266500
info.china@dwgroup.com
Tel. +8653286812030-6270
Fax +8653286812210



DAB UKRAINE Representative Office
Regus Horizon Park
4 M. Hrinchenka St, suit 147
03680 Kiev - Ukraine
Tel. +38 044 391 59 43



DAB PUMPS DE MÉXICO, S.A. DE C.V.
Av Gral Álvaro Obregón 270, oficina 355
Hipódromo, Cuauhtémoc 06100
México, D.F.
Tel. +52 55 6719 0493



DAB PUMPEN DEUTSCHLAND GmbH
Tackweg 11
47918 Tönisvorst - Germany
info.germany@dwgroup.com
Tel. +49 2151 82136-0
Fax +49 2151 82136-36



DAB PUMPS OCEANIA PTY LTD
L1 181 Bay Street - Brighton,
Melbourne - VIC 3186 - Australia
info.oceania@dwgroup.com
Tel. +61 (03) 9595 3841