



ZILMET

ActivFlo Water Conditioner

Installation Instructions



ZILMET USA
240 COMMERCE PARK ROAD
NORTH KINGSTOWN, RI 02852

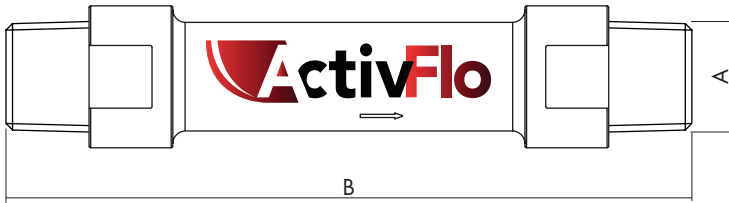
T. (401) 884 4943
E. INFO@ZILMETUSA.COM

WWW.ZILMETUSA.COM

Product Range

ZAF034	Zilmet ActivFlo ¾" NPT Water Conditioner
ZAF010	Zilmet ActivFlo 1" NPT Water Conditioner
ZAF010H	Zilmet ActivFlo 1" NPT Water Conditioner (High Flow)

Dimensions

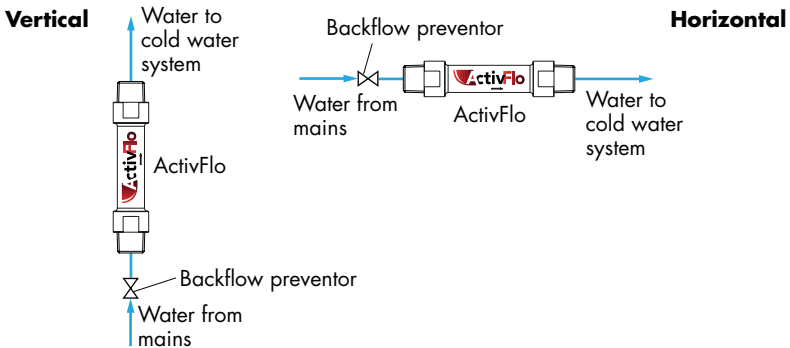


Model No	A	B
ZAF034	¾" NPT - Male	6"
ZAF010	1" NPT - Male	7.3"
ZAF010H (High Flow)	1" NPT- Male	8.3"

Installation

To ensure optimum performance of the Zilmet ActivFlo it is recommended that sizing and selection are completed using the selection chart, see page 3 of this installation manual.

Once sized correctly, the ActivFlo should be installed on the incoming water main supplying the property, immediately after the back flow preventor and before any fixtures or heating equipment.



The ActivFlo can be installed vertically or horizontally.

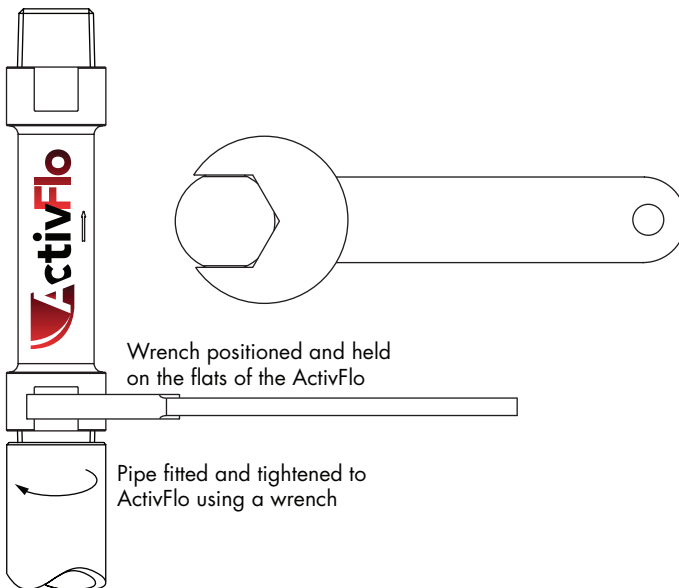
Installation

The ActivFlo can be installed into new or existing systems following the procedure below;

- If you have iron content higher than 4ppm in your water, an iron filtration unit should be ahead of the Activflo.
- Before commencing, turn off the water supply and have a container to collect any excess water draining from the pipework.
- **Ensure that the ActivFlo is installed with the flow direction arrow pointing in the same direction as the water flow.**



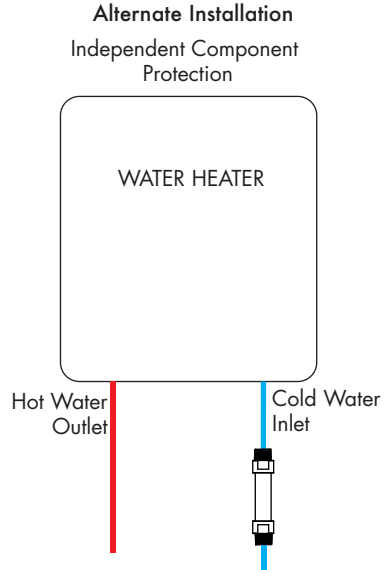
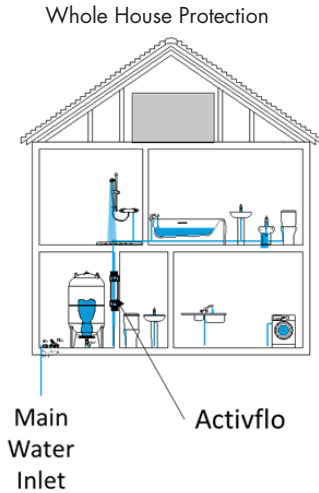
- Ensure that the pipes being connected are free from debris and the threads are free from burrs.
- Using a suitably sized wrench on the flats adjacent to the threads hold the ActivFlo secure as the pipe is connected and tightened, suitable thread sealing paste or tape can be used to ensure a water tight joint.
- The flats used should be on the end where the pipe is being fitted.



- Turn on the water supply and check to ensure water tight joints.

Typical Application - Tankless Water Heater

ActivFlo installed in cold water inlet.



ActivFlo - Technical Specification

Maximum operating Temperature:	210°F
Insulation will be required below 32°F	
Maximum pressure:	232 psi
Minimum pressure:	1.45 psi

Operational Flow Rates

To ensure the maximum efficiency and operation of the ActivFlo the installation must be suited to the below flow rate requirements

