

ActivFlo Solo

The ActivFlo Solo water conditioner has been specially designed and engineered for independent component protection with applications in lower flow requirements. The same unique alloy coil provides the catalytic method for water conditioning. Calcium bicarbonate forms into aragonite which cannot adhere to surfaces.

Installation Applications

- Shower heads
- Coffee makers
- Beverage dispensers
- Ice makers
- Water fountains
- R/Vs, campers, boats

Product Range

ZAF012MF 1/2" MNPT x 1/2" FNPT ActiFlo Solo

Technical Specifications

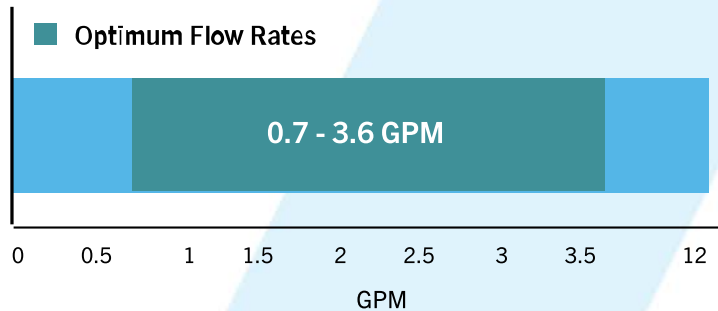
Maximum Operating Temperature: 210 °F

Maximum Operating Pressure: 232 psi

Connections: 1/2" Male / Female NPT

Optimum Flow Rates: 0.7 - 3.6 GPM

ActivFlo Solo Operational Flow Rates



ActivFlo Nano

Installation Applications:

- Residential dishwashers
- Humidifiers
- Ice machines
- Coffee makers and espresso machines
- Reverse osmosis water filtration systems
- Commercial kitchen steamers
- Drinking fountains

Product Range

ZAFNANO ActivFlo Nano 3/8" MNPT

Technical Specs:

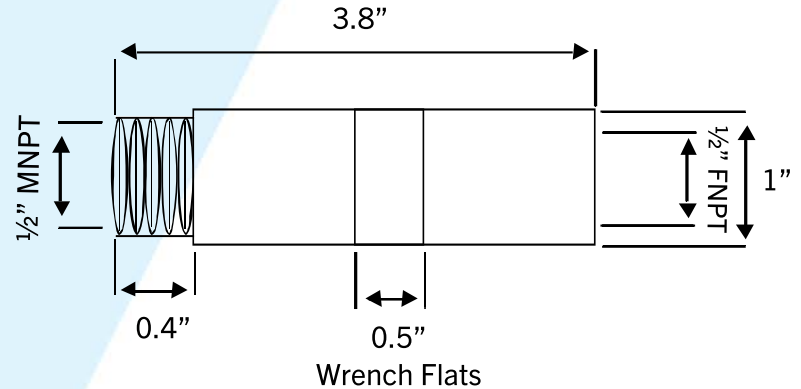
- Optimal Flow Rates Up To 2.9 GPM
- Maximum Operating Pressure 232 PSI
- Maximum Operating Temperature 210°F
- Connections: 3/8" MNPT
- 3.6" Long

ActivFlo SOLO

Water Conditioner



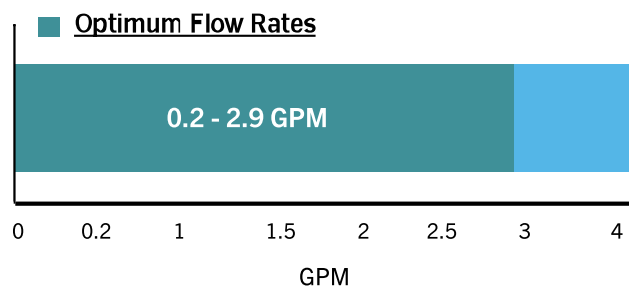
Dimensions (inches):



ActivFlo nano

Water Conditioner

ActivFlo Nano Operational Flow Rates



The ActivFlo Water Conditioner is also available in Commercial Sizes!



ActivFlo

Water Conditioner



ActivFlo Whole House

The ActivFlo from ZilmetUSA is a No-Salt Hard Water Conditioner. Hard water is a common water condition that is a result of calcium and magnesium in the water supply. Effects of hard water include limescale buildup, reduced water flow, reduced heating efficiency, and waste of detergents to clean.

The Activflo imposes a catalytic action as water flows through, that causes calcium to form into an insoluble aragonite crystal. These crystals do not have the same bonding properties as calcium which means they won't stick to pipework, heating elements, faucets, etc

Product Benefits

- Reduce & prevent scale buildup
- Increase efficiency of your system
- Improve look and feel of hair and clothing
- Reduce spots on glassware, counters, and fixtures

Product Range

Code	Description
ZAF034	3/4" ActivFlo
ZAF010	1" ActivFlo
ZAF010H	1" ActivFlo High Flowrate

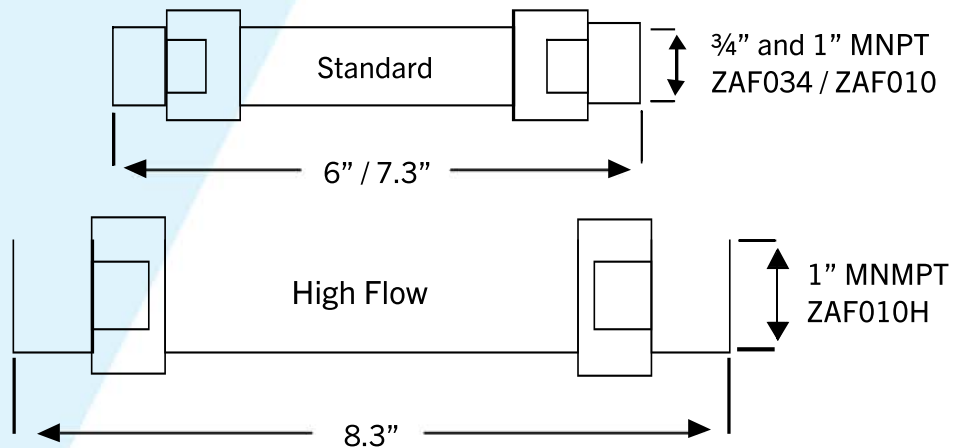
Product Features

- No salt required
- No maintenance
- 15 year warranty
- No power required

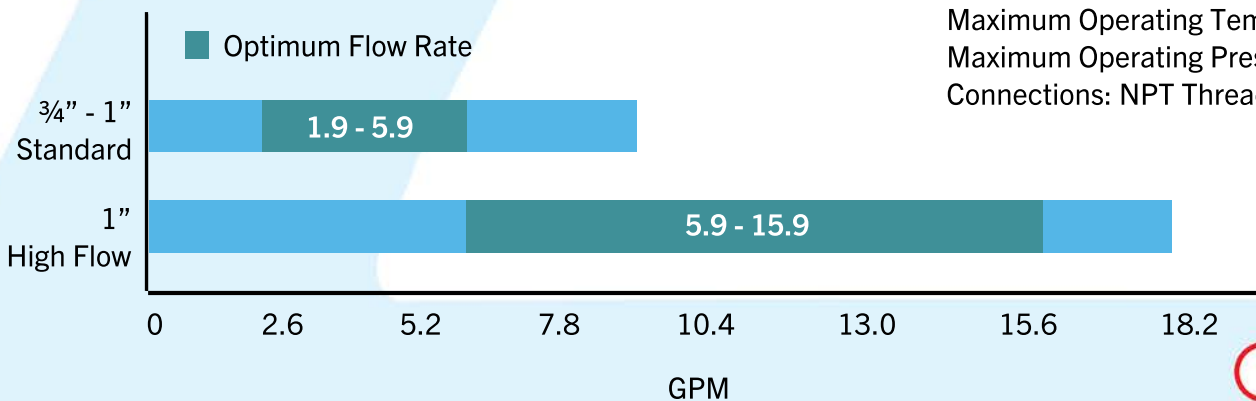
Installation Applications

- Water marks on sinks, fixtures, and counters
- Using a lot of soap
- Dry skin
- Bad taste from tap water

Dimensions (inches):



Standard & High Flow Operational Flow Rates



Technical Specifications

Maximum Operating Temperature: 210°F
 Maximum Operating Pressure: 232 psi
 Connections: NPT Thread