

HSC

MULTI-STAGE CENTRIFUGAL PUMP



FEATURES

- **Multi-stage Design:** Provides steady, quiet and vibration-free operation for years of trouble-free service.
- **Impellers:** 20% glass-filled thermoplastic precision molded for high efficiencies.
- **Compact Design:** Close-coupled, space saving design provides easy installation. Flexible coupling and bedplate not required.
- **Mounting:** Can be mounted in vertical or horizontal position.
- **Stainless Steel Pump Shaft:** Hex design provides positive drive for impellers and eliminates clearance adjustments.
- **Corrosion Resistant:** Stainless steel wear rings and coverplates. Electro-coated paint process applied inside and out and then baked on.
- **O-rings:** Throughout for positive sealing.
- **Easy to Service:** Can be taken apart for service by removing four bolts.
- **Motor:** Close coupled design. Ball bearings carry all radial/axial thrust loads. Designed for continuous operation. All ratings are within working limits of the motor. Available from ¾ - 3 HP.

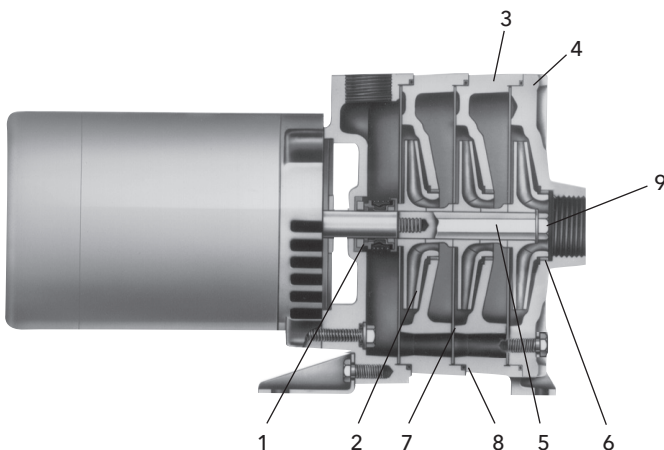
AGENCY LISTING



Tested to UL778

SINGLE AND THREE PHASE MODELS

HP	Stages	Order Numbers – ODP Motor	
		1Ø Model	3Ø Model
¾	2	HSC07	HSC07B
1	2	HSC10	HSC10B
1½	2	HSC15	HSC15B
2	3	HSC20	HSC20B
3	3	HSC30	HSC30B



APPLICATIONS

Specifically designed for the following uses:

- Water circulation
- Booster service
- Liquid transfer
- Spraying systems
- Jockey pump service
- General purpose pumping

SPECIFICATIONS

Pump

- Capacities: to 50 GPM
- Pressures: to 100 PSI (230 feet)
- Pipe connections: 1¼" suction, 1" discharge
- Temperatures: to 180°F (82°C) maximum
- Maximum working pressure: 125 PSI
- Rotation: right hand, ie; clockwise when viewed from motor end.

Motor

- NEMA standard, ¾ - 1½ HP, 115/230 V; 2 and 3 HP, 230 V, 60 Hz.
- Single phase ODP (standard)
- Three phase available
- 3500 RPM, ODP motors standard
- Built-in overload with automatic reset
- Capacitor type
- Stainless steel shaft
- TEFC and Explosion-proof motors available. See price book.

COMPONENTS

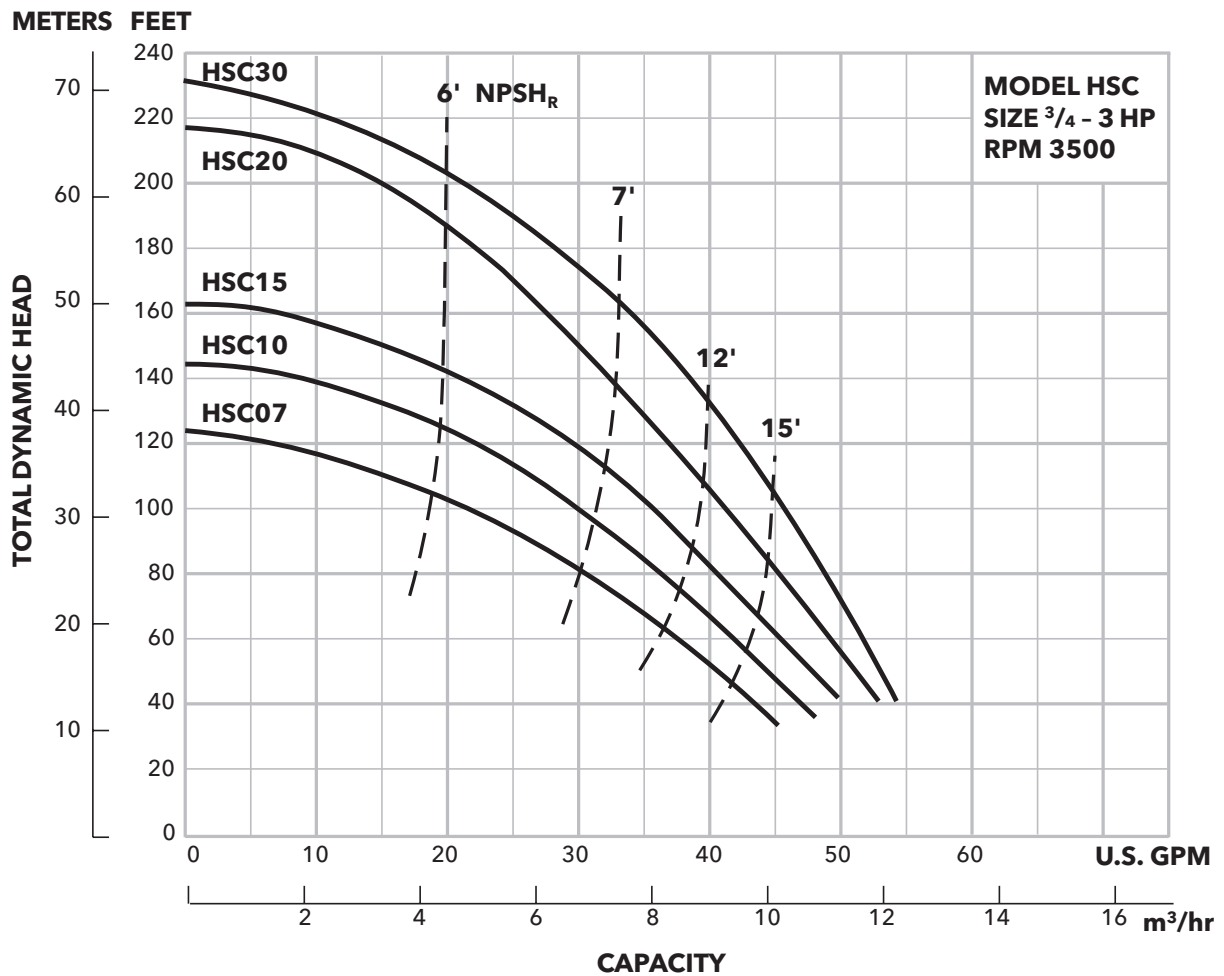
Item No.	Description
1	Mechanical seal
2	Impellers
3	Intermediate stage
4	Casing
5	Stainless steel hex shaft
6	Stainless steel wear rings
7	Stainless steel cover plates
8	O-ring seals
9	Impeller bolt and washer

DIMENSIONS AND WEIGHTS

Model	HP	Length	Width	Height	Weight (lbs.)
HSC07	¾	15	8	9	53
HSC10	1	16	8	9	58
HSC15	1½	17	8	9	72
HSC20	2	19.7	8	9	75
HSC30	3	19.1	8	9	85

(All dimensions are in inches and weight in lbs. Do not use for construction purposes.)

PERFORMANCE CURVE



TO CONVERT FEET OF WATER TO PSI - DIVIDE FEET BY 2.31

Xylem |'zīləm|

- 1) The tissue in plants that brings water upward from the roots;
- 2) a leading global water technology company.

We're a global team unified in a common purpose: creating innovative solutions to meet our world's water needs. Developing new technologies that will improve the way water is used, conserved, and re-used in the future is central to our work. We move, treat, analyze, and return water to the environment, and we help people use water efficiently, in their homes, buildings, factories and farms. In more than 150 countries, we have strong, long-standing relationships with customers who know us for our powerful combination of leading product brands and applications expertise, backed by a legacy of innovation.

For more information on how Xylem can help you, go to www.xylem.com



Xylem Inc.
2881 East Bayard Street Ext., Suite A
Seneca Falls, NY 13148
Phone: (800) 453-6777
Fax: (888) 322-5877
www.gouldswatertechnology.com

Goulds is a registered trademark of Goulds Pumps, Inc. and is used under license.
© 2015 Xylem Inc. BHSC R1 October 2015