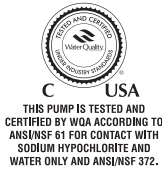
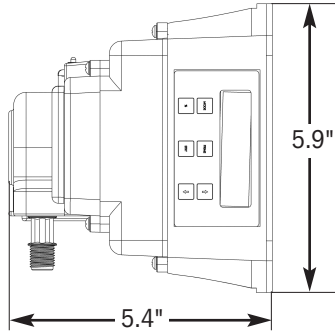
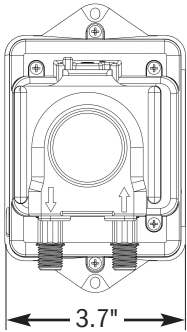


# ECON FP SERIES SPECIFICATIONS

**STENNER PUMPS®**



**SHIPPING WEIGHT** 4 lbs (1.8 kg)



## FEATURES

- Pump is field programmable to accept a dry contact signal or a 12-24 VAC/VDC input signal from any control equipment that responds to flow
- cULus for indoor/outdoor use
- 3-point roller design assists in anti-siphon protection
- Pump head requires no valves, allows for easy maintenance
- Self-priming against maximum working pressure, foot valve not required
- Pump does not lose prime or vapor lock
- Pumps off-gassing solutions and can run dry
- Output volume is not affected by back pressure
- Easy to change pump tube; lubrication is not required

- Output Control** Six button control panel with LCD display
- Reproducibility** ±2%
- Maximum Working Pressure** 80 psi (5.5 bar)
- Maximum Operating Temperature** 104°F (40°C)
- Maximum Suction Lift** 25 ft (7.6 m) vertical lift, based on water
- Motor Type** 24 VDC, brushless
- Approximate Shaft RPM** 60
- Duty Cycle** Continuous
- Motor Voltage** 120V 60Hz (0.17 amp), 240V 50Hz (10 watts)
- Power Cord Type** STP-2W
- Power Cord Plug End** Wall adapter power supply 100-120V, 60Hz, 0.75A input, two prong, polarized 24VDC, 1.25A, Class II output
- Classification** Indoor/Outdoor

## MATERIALS OF CONSTRUCTION

- All Housings** Polycarbonate
  - Pump Tube & Check Valve Duckbill** Santoprene™, FDA approved
  - Pump Head Rollers** Polyethylene
  - Suction/Discharge Tubing, Ferrules** Polyethylene, FDA approved
  - Tube Fittings** Polypropylene, NSF listed
  - Check Valve Fittings** Type 1 Rigid PVC, NSF listed
  - Connecting Nuts** PP or Type 1 Rigid PVC
  - Suction Line Strainer** PP or Type 1 Rigid PVC body with Type 1 Rigid PVC cap, NSF listed; ceramic weight
  - All Fasteners** Stainless steel
- \* Santoprene™ is a trademark of Exxon Mobil Corporation.

## ACCESSORY KIT SHIPPED WITH EACH PUMP

- 3** connecting nuts 1/4"
- 3** ferrules 1/4"
- 1** injection check valve
- 1** weighted suction line strainer 1/4"
- 1** 20' roll suction/discharge tubing 1/4" white or black  
OR 6 mm white *Europe*
- 1** additional pump tube
- 1** manual

## FLOW RATE OUTPUT CHART

| Item Number Prefix                    | Pump Tube | Roller Assembly | Turndown Ratio | Gallons per Day | Gallons per Hour | Ounces per Hour | Ounces per Minute | Pressure psi | Liters per Day | Liters per Hour | Milliliters per Hour | Milliliters per Minute | Pressure bar |
|---------------------------------------|-----------|-----------------|----------------|-----------------|------------------|-----------------|-------------------|--------------|----------------|-----------------|----------------------|------------------------|--------------|
| E20PHF                                | F         | White           | 10:1           | 4.5             | 0.19             | 24.00           | 0.40              | 80           | 17.0           | 0.71            | 708.8                | 11.8                   | 5.5          |
| E20PHG                                | G         | Black           | 10:1           | 16.0            | 0.67             | 85.33           | 1.42              | 80           | 60.5           | 2.52            | 2520.0               | 42.0                   | 5.5          |
| E20PHH                                | H         | Black           | 10:1           | 30.0            | 1.25             | 160.00          | 2.67              | 80           | 113.4          | 4.72            | 4725.0               | 78.8                   | 5.5          |
| Approximate Maximum Outputs @ 50/60Hz |           |                 |                |                 |                  |                 |                   |              |                |                 |                      |                        |              |

NOTE: Injection check valve is included.

**NOTICE:** The information within this chart is solely intended for use as a guide. The output data is an approximation based on pumping water under a controlled testing environment. Many variables can affect the output of the pump. Stenner Pump Company recommends that all metering pumps undergo field calibration by means of analytical testing to confirm their outputs.